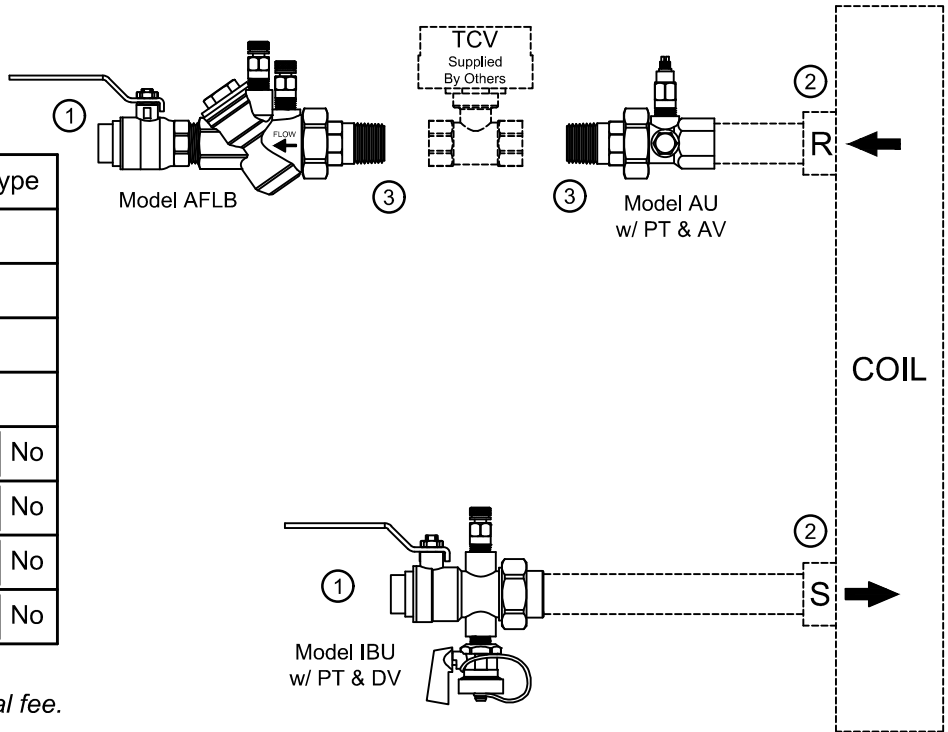


# **PRO** Hydronic Specialties Automatic Balancing 2-Way Kit - A2B Submittal

	#	Size	Connection Type
Runout	1		
Coil	2		
TCV	3		MPT
<i>Services provided for additional fee:</i>			
Extended Components	<input type="checkbox"/>	Yes	<input type="checkbox"/> No
Factory Mounted TCV	<input type="checkbox"/>	Yes	<input type="checkbox"/> No
Stainless Steel Trim	<input type="checkbox"/>	Yes	<input type="checkbox"/> No
Bag N Tag	<input type="checkbox"/>	Yes	<input type="checkbox"/> No

\* 3/8" Coil Size available in SWT ONLY.

\*\* ProPress fittings supplied for additional fee.



**PRODUCT DESCRIPTION:** The Automatic Balancing Valve Kit is a packaged and partially preassembled grouping of components required to complete installation of a terminal unit. Temperature control valves, piping, and coils are supplied "by others". Mounting and testing of the customer supplied TCV is available at an additional charge.

QUANTITY	GPM	TAGGING INFORMATION

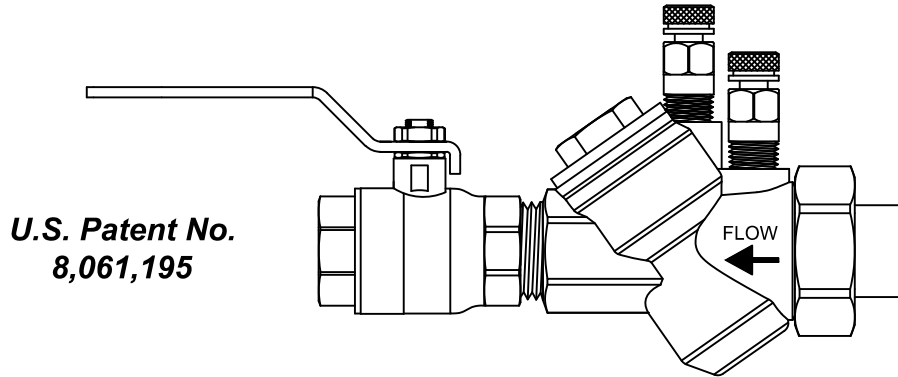
JOB NAME		REPRESENTATIVE	
ENGINEER		REF/PO#	DATE
CONTRACTOR		SUBMITTED BY	DATE



## AFLB Series Specifications

### Automatic Pressure Independent Flow Limiter w/ Ball Valve

- A: AFLB - ½" - 1" High
- B: AFLB - 1" High - 1½" Low
- C: AFLB - 1½" High - 2"



**PRODUCT DESCRIPTION:** The AFLB is an Automatic Pressure Independent Flow Limiting device, male ended by union with a brass ball valve attached, rated at 600 WOG / CWP @ 250° F. The AFLB is supplied with a stainless steel flow limiting cartridge that can be removed for cartridge exchange, if necessary. The AFLB comes standard with two pressure/temperature ports and a hanging identification tag. The ball valve end, or run-out side, is available in FNPT or SWT. The union side connections available include MNPT, FNPT, SWT, and a variety of reductions.

STANDARD MATERIAL SPECIFICATIONS		STANDARD OPERATING SPECIFICATIONS	
Body	Forged Brass ASTM B283-06 or Cast Brass ASTM B763-08A	Control Range:	2 psi - 60+ psi
O-Ring	EPDM	Accuracy:	±5%
Tail Piece, Packing Nut	Brass ASTM B124-09, B228-06, or B763-08A	Max Working Pressure:	600 WOG / CWP
Union Nut	Brass ASTM B455	Max Operating Temperature:	40°F to 250°F
Flow Cartridge	ASTM A582 Type 303 Stainless Steel	Start-Up Head Loss:	5 Feet of H <sub>2</sub> O
Diaphragm	EPDM	Specification information is provided to assist and is given without obligation or warranty. The Company reserves the right to make changes in design, materials, and/or specifications without notice or liability.	
Spring	302 Stainless Steel		
PT Port	EPDM Dual Durometer Core		
Ball Valve	Forged Brass ASTM B283-06		
Stem	Brass ASTM B124-09 - Blow-Out Proof		
Ball	Chrome Plated Brass		
Ball Seat, Packing Gland	Teflon		
Handle	Chrome Plated Steel w/ Vinyl Cover		

Valve Size	FLOW RATES (GPM) * CONTROL RANGE 2 - 60+ PSID **																									
	A	B	C	D	E	F	G	H	I	J	K	L	M	N	O	P	Q	R	S	T	U	V	W	X	Y	Z
A ½" - 1" L	.33	.50	.75	1	1.25	1.5	1.75	2	2.25	2.5	2.75	3	3.5	4	4.5	5	5.5	6	6.5	7	7.5	8	9	10	11	12
B 1" H - 1½" L	5	5.5	6	6.5	7	8	9	10	12	13	14	15	16	18	20	22	24	26	28	30	32	34	36	38	40	42
C 1½" H - 2"	15	20	25	30	35	40	45	50	55	60	65	70	75	80	85	90	95	100	110	120	130	140	150	160	170	180

\* Custom flow rates can be calibrated at the factory for an additional charge.  
 Unless confirmed as special, flow rates will default to standard flow rate.

#### PRODUCT SPECIFICATIONS:

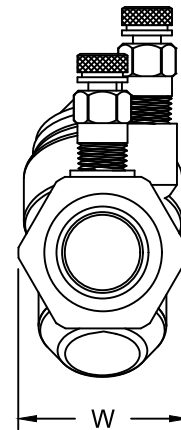
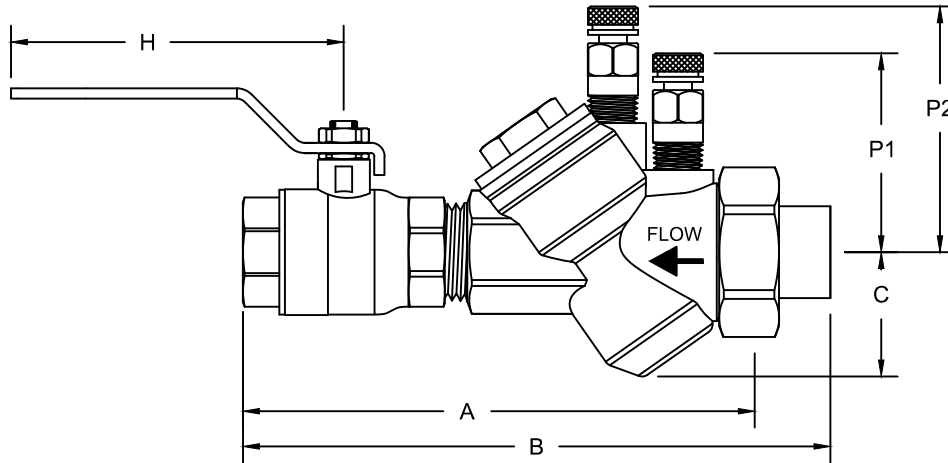
- The Automatic Flow Limiter with Ball Valve (AFLB) shall have flow measurement capability
- The AFLB shall have a static orifice to control flow
- The AFLB Cartridge shall be permanently marked with the letter that corresponds to the factory preset GPM
- All flow cartridge wear surfaces shall be stainless steel
- The AFLB shall have a 2 PSID start up rating
- The AFLB Cartridge shall have a large operational differential range
- The AFLB Cartridge shall provide continual flow at differential pressures above design limits
- The AFLB Cartridge shall be removable for cleaning or exchange if required



### AFLB Series Dimensions

### Automatic Pressure Independent Flow Limiter w/ Ball Valve

A: AFLB - 1/2" - 1" L



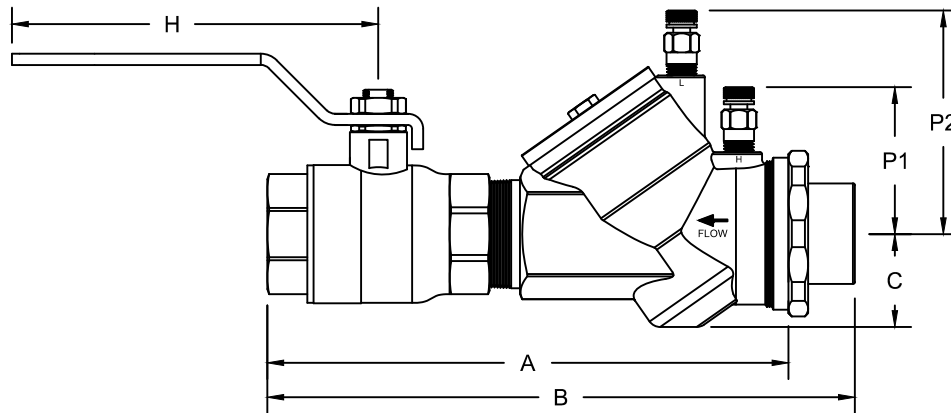
BALL VALVE SIZE AND TYPE	A	TAIL PIECE	B	WEIGHT (lbs)	C	H	P1	P2	W
1/2" SWT	5.7	- M	7.3	1.8	1.3	3.7	2.3	2.8	1.7
		- F	6.4	1.8					
		- S	6.4	1.7					
1/2" FPT	5.4	- M	7.0	1.8	1.3	3.7	2.3	2.8	1.7
		- F	6.0	1.8					
		- S	6.0	1.7					
3/4" SWT	6.6	- M	8.1	2.4	1.4	3.8	2.0	2.6	1.8
		1/2" - F	7.3	2.4					
		- S	7.3	2.4					
		- M	8.3	2.5					
		3/4" - F	7.2	2.4					
		- S	7.2	2.4					
3/4" FPT	6.1	- M	7.5	2.4	1.4	3.8	2.0	2.6	1.8
		1/2" - F	7.2	2.5					
		- S	6.8	2.4					
		- M	7.8	2.5					
		3/4" - F	7.0	2.4					
		- S	6.8	2.4					
1" SWT	7.3	1/2" - M	9.5	3.5	1.2	5.0	2.0	2.5	2.1
		3/4" - M	9.5	3.5					
		- S	8.2	3.3					
		- M	9.5	3.6					
		1" - F	8.5	3.4					
- S	8.5	3.3							
1" FPT	6.7	1/2" - M	8.7	3.5	1.2	5.0	2.0	2.5	2.1
		3/4" - M	8.7	3.5					
		- S	7.5	3.3					
		- M	8.7	3.6					
		1" - F	7.6	3.4					
- S	7.6	3.3							

Note: Dimensions listed above do not include ProPress or any other special fittings or adapters. All dimensions, weights, and materials are subject to minor variations. Consult with factory for confirmation of dimensions and material specifications. Sweat size listed is nominal and will differ from the actual, measurable size.

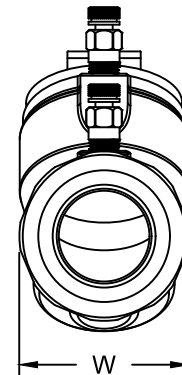


### AFLB Series Dimensions

## Automatic Pressure Independent Flow Limiter w/ Ball Valve B: AFLB - 1" H - 1½" L



BALL VALVE SIZE AND TYPE	A	TAIL PIECE	B	WEIGHT (lbs)	C	H	P1	P2	W
1" SWT	8.6	- M	10.6	5.3	1.4	5.0	2.3	2.6	3.9
		- F	9.5	5.2					
		- S	9.5	5.1					
1" FPT	8.0	- M	10.0	5.3	1.4	5.0	2.3	2.6	3.9
		- F	8.8	5.2					
		- S	9.0	5.1					
1¼" SWT	9.1	- M	11.0	6.2	1.4	5.0	2.3	2.6	3.9
		- F	11.1	6.3					
		- S	10.5	5.9					
		- M	11.1	6.3					
		- F	10.1	6.0					
		- S	10.2	5.9					
1¼" FPT	8.3	- M	10.3	6.2	1.4	5.0	2.3	2.6	3.9
		- F	9.3	6.0					
		- S	9.6	5.9					
		- M	10.3	6.3					
		- F	9.0	5.8					
		- S	9.5	5.9					
1½" SWT	9.4	- M	11.9	6.5	1.4	6.3	2.5	3.4	3.2
		- F	11.9	6.6					
		- S	10.9	5.9					
		- M	11.9	6.4					
		- F	10.6	6.1					
		- S	10.6	5.9					
1½" FPT	9.0	- M	11.0	6.4	1.4	6.3	2.5	3.4	3.2
		- F	11.0	6.5					
		- S	10.0	5.8					
		- M	11.0	6.3					
		- F	9.7	6.0					
		- S	9.7	5.8					



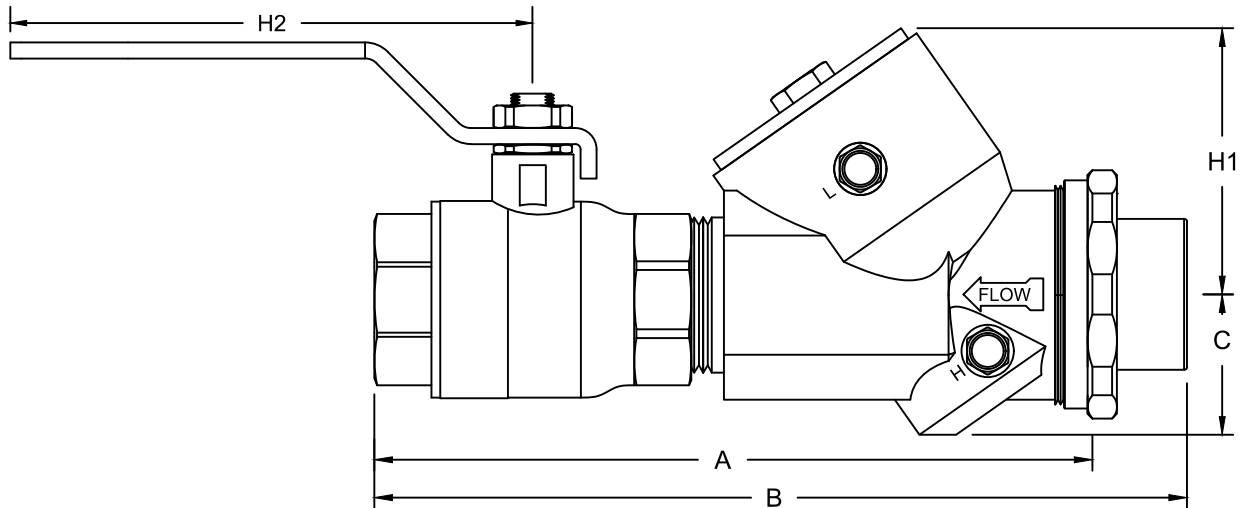
*Note: Dimensions listed above do not include ProPress or any other special fittings or adapters. All dimensions, weights, and materials are subject to minor variations. Consult with factory for confirmation of dimensions and material specifications. Sweat size listed is nominal and will differ from the actual, measurable size.*



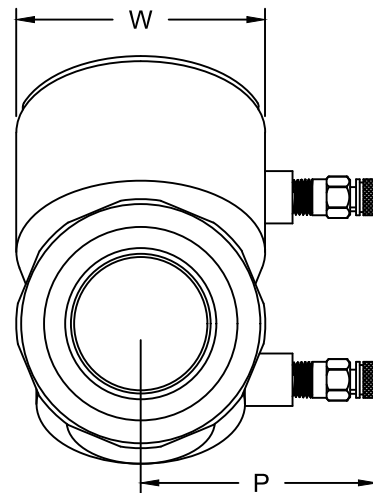
### AFLB Series Dimensions

### Automatic Pressure Independent Flow Limiter w/ Ball Valve

C: AFLB - 1½" H - 2"



BALL VALVE SIZE AND TYPE	A	TAIL PIECE	B	WEIGHT (lbs)	C	H1	H2	P	W
1½" SWT	12.3	- M	15.3	14.7	2.2	4.2	6.3	3.2	3.7
		1¼" - F	15.3	14.6					
		- S	14.0	13.8					
		1½" - M	15.0	15.1					
		- F	15.3	14.8					
		- S	13.8	13.8					
1½" FPT	11.5	- M	14.5	14.7	2.2	4.2	6.3	3.2	3.7
		1¼" - F	14.5	14.6					
		- S	13.0	13.8					
		1½" - M	14.5	15.1					
		- F	14.5	14.8					
		- S	13.1	13.8					
2" SWT	11.7	- M	14.7	15.5	2.2	4.2	6.2	3.2	3.7
		1½" - F	14.7	15.5					
		- S	13.3	14.6					
		2" - M	14.7	15.5					
		- F	12.8	14.9					
		- S	13.2	14.5					
2" FPT	10.6	- M	13.6	15.4	2.2	4.2	6.2	3.2	3.7
		1½" - F	13.6	15.4					
		- S	12.2	14.5					
		2" - M	13.6	15.4					
		- F	11.8	14.8					
		- S	12.0	14.4					



Note: Dimensions listed above do not include ProPress or any other special fittings or adapters. All dimensions, weights, and materials are subject to minor variations. Consult with factory for confirmation of dimensions and material specifications. Sweat size listed is nominal and will differ from the actual, measurable size.

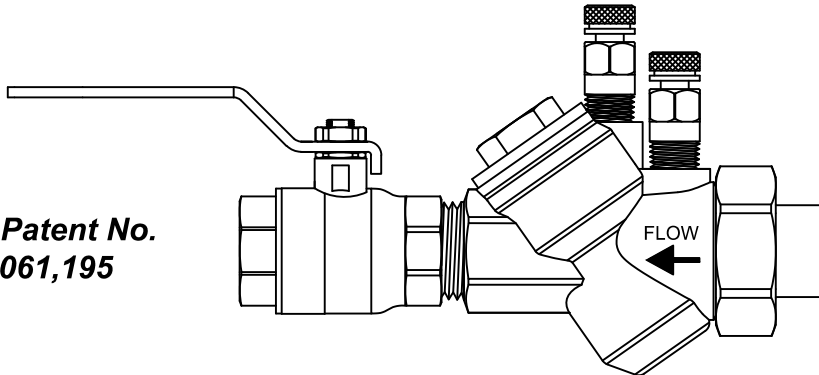
# PRO *Hydronic* *Specialties*

## AFLB Series Submittal

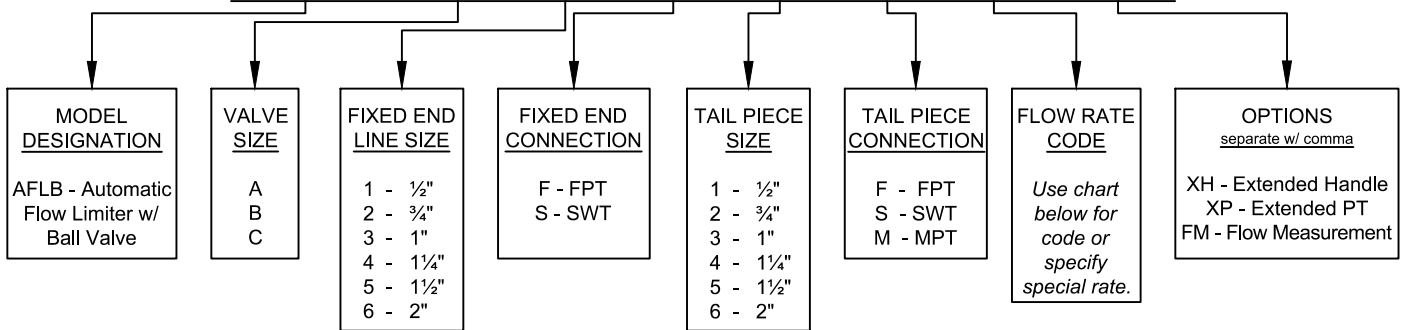
### Automatic Pressure Independent Flow Limiter w/ Ball Valve

- A: AFLB - 1/2" - 1" L
- B: AFLB - 1" H - 1 1/2" L
- C: AFLB - 1 1/2" H - 2"

U.S. Patent No.  
8,061,195



AFLB - X - X - X - X - X - X - XX,



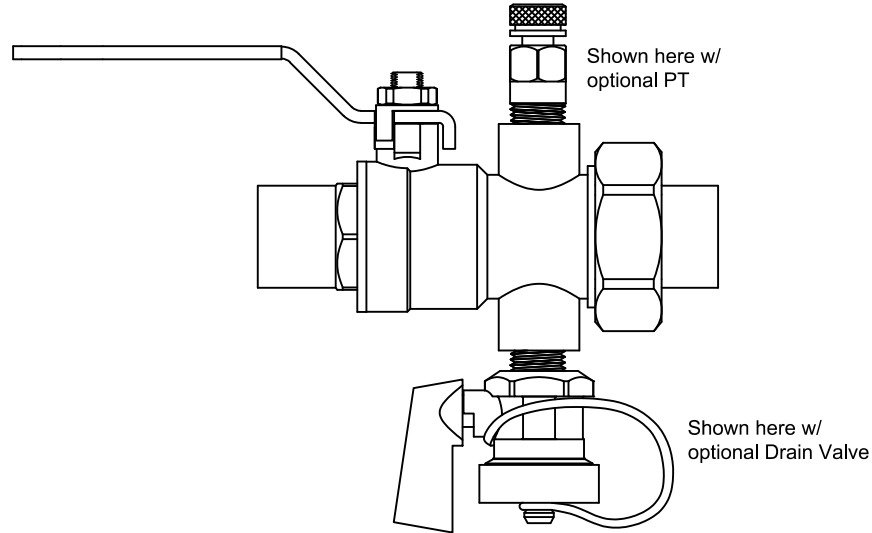
Valve Size	FLOW RATE CODES (GPM)* CONTROL RANGE 2 - 60+ PSID **																									
	A	B	C	D	E	F	G	H	I	J	K	L	M	N	O	P	Q	R	S	T	U	V	W	X	Y	Z
A 1/2" - 1" L	.33	.50	.75	1	1.25	1.5	1.75	2	2.25	2.5	2.75	3	3.5	4	4.5	5	5.5	6	6.5	7	7.5	8	9	10	11	12
B 1" H - 1 1/2" L	5	5.5	6	6.5	7	8	9	10	12	13	14	15	16	18	20	22	24	26	28	30	32	34	36	38	40	42
C 1 1/2" H - 2"	15	20	25	30	35	40	45	50	55	60	65	70	75	80	85	90	95	100	110	120	130	140	150	160	170	180

\* Custom flow rates can be calibrated at the factory for an additional charge.  
 Unless confirmed as special, flow rates will default to standard flow rate.

JOB NAME:		REPRESENTATIVE:	
ENGINEER:		REF/PO#:	
CONTRACTOR:		SUBMITTED BY:	
		DATE:	
		DATE:	
PART # (See table above)	TAGGING/JOB INFORMATION	GPM	QUANTITY



## IBU Series Specifications Integral Ball Valve/Union



**PRODUCT DESCRIPTION:** The IBU is an integral ball valve and union. The IBU uses a full-port ball valve with a union ended brass body that provides two (2) ¼" taps for accessories to be installed. All taps are plugged unless otherwise specified. Memory stops are available upon request. Fixed end connections may be SWT or FNPT. Union side connections available include MNPT, FNPT, and SWT, and a variety of reductions.

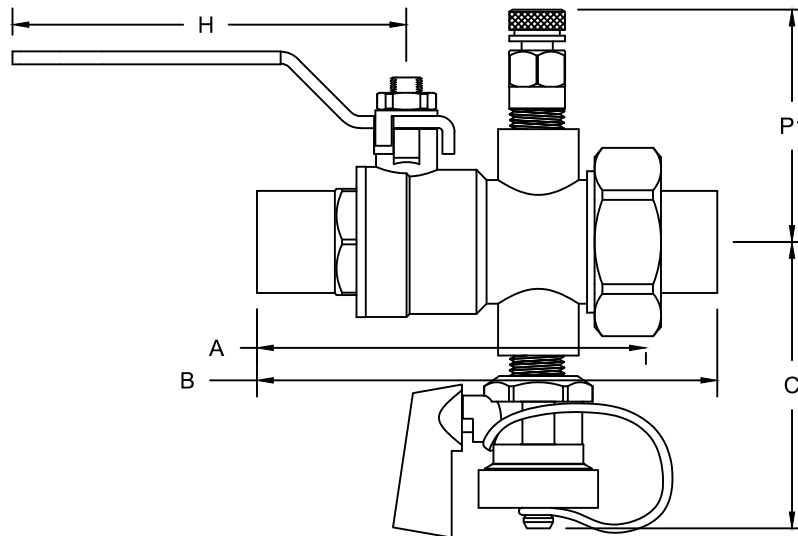
STANDARD MATERIAL SPECIFICATIONS	
Body	Forged Brass ASTM B283-06 or ASTM B763-08A
O-Ring	EPDM
Tail Piece	Brass ASTM B124-09, B228-06, or B763-08A
Union Nut	Brass ASTM B455
Handle	Chrome Plated Steel
Stem	Brass ASTM B124-09 - Blow-Out Proof
Ball	Chrome Plated Brass - Full Port
Ball Seat	Teflon
STANDARD OPERATING SPECIFICATIONS	
Maximum Working Pressure:	600 WOG / CWP
Maximum Operating Temperature:	250° F
Specification information is provided to assist and is given without obligation or warranty. The Company reserves the right to make changes in design, materials, and/or specifications without notice or liability.	

### PRODUCT SPECIFICATIONS:

- Devices shall have a full port isolation valve to provide unrestricted flow
- Devices shall be designed to accept a memory stop
- Devices shall have a union end which allows for quick and convenient connection



## IBU Series Dimensions Integral Ball Valve/Union



MODEL	SIZE	A	TAIL PIECE	B	Lbs	C	H	P1	* Cv
IBU1	½" - SWT	3.5	- M	5.1	1.2	2.5	3.8	2.0	19
			- F	4.2	1.2				
			- S	4.2	1.1				
	½" - FPT	3.2	- M	4.7	1.2				
IBU2	¾" - SWT	3.8	- M	5.3	1.5	2.7	3.8	2.2	35
			- F	4.9	1.6				
			- S	4.5	1.4				
			- M	5.5	1.5				
			- F	4.6	1.5				
			- S	4.6	1.4				
	¾" - FPT	3.3	- M	4.8	1.5				
			- F	4.4	1.6				
			- S	4.1	1.4				
			- M	5.0	1.6				
			- F	4.1	1.5				
			- S	4.1	1.4				
IBU3	1" - SWT	4.1	½" - M	6.5	2.1	2.7	5.0	2.2	49
			¾" - M	6.5	2.1				
			- S	5.2	1.9				
			- M	6.5	2.2				
			- F	5.3	2.0				
			- S	5.4	1.9				
	1" - FPT	3.7	½" - M	5.7	2.1				
			¾" - M	5.7	2.1				
			- S	4.5	1.9				
			- M	5.7	2.2				
			- F	4.6	2.0				
			- S	4.7	1.9				

MODEL	SIZE	A	TAIL PIECE	B	Lbs	C	H	P1	* Cv
IBU4	1¼" - SWT	5.2	½" - M	7.0	3.6	3.2	4.6	2.5	102
			¾" - M	7.0	3.8				
			1" - M	7.0	3.8				
			- M	7.0	3.9				
			1¼" - F	6.0	3.6				
			- S	6.2	3.4				
	1¼" - FPT	4.5	½" - M	6.2	3.2				
			¾" - M	6.5	3.3				
			1" - M	6.5	3.4				
			- M	6.5	3.4				
			1¼" - F	5.6	3.1				
			- S	5.7	3.0				
IBU5	1½" - SWT	5.8	¾" - M	7.5	4.6	3.5	5.5	2.7	266
			1" - M	8.0	4.9				
			1¼" - M	8.1	5.0				
			- M	8.1	4.9				
			1½" - F	7.0	4.6				
			- S	7.0	4.4				
	1½" - FPT	5.2	¾" - M	7.1	4.4				
			1" - M	7.5	4.8				
			1¼" - M	7.5	4.8				
			- M	7.5	4.7				
			1½" - F	6.5	4.4				
			- S	6.3	4.2				
IBU6	2" - SWT	7.1	1" - M	10.1	8.0	3.5	6.3	3.0	297
			1¼" - M	10.0	7.7				
			1½" - M	10.0	7.7				
			- M	10.0	7.7				
			2" - F	8.2	7.1				
			- S	8.5	6.7				
	2" - FPT	6.0	1" - M	8.9	7.8				
			1¼" - M	8.9	7.4				
			1½" - M	8.9	7.4				
			- M	8.9	7.4				
			2" - F	7.0	6.8				
			- S	7.2	6.4				

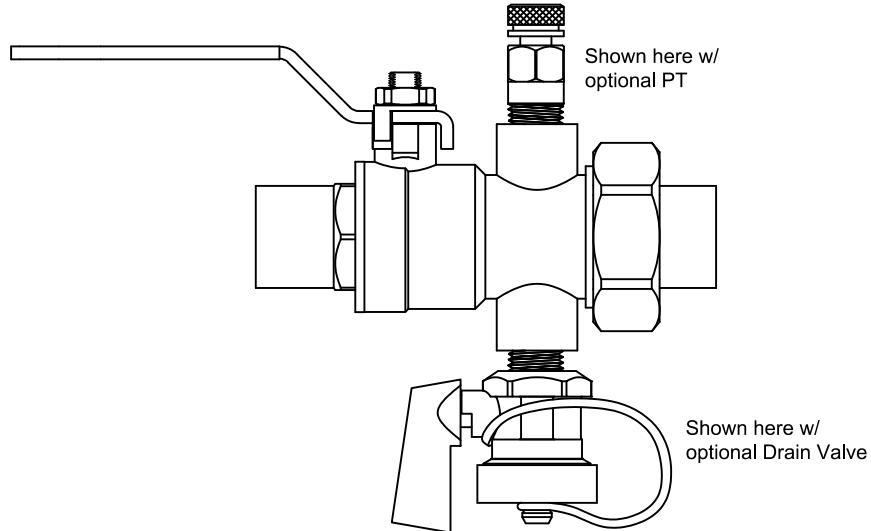
Note: Dimensions listed do not include ProPress or any other special fittings or adapters. All dimensions and materials are subject to minor variations. Consult with factory for confirmation of dimensions and material specifications at the time of order. Sweat size listed is nominal and will differ from the actual, measurable size.

\* Cv = Estimated with union connection same as inlet, no reductions.

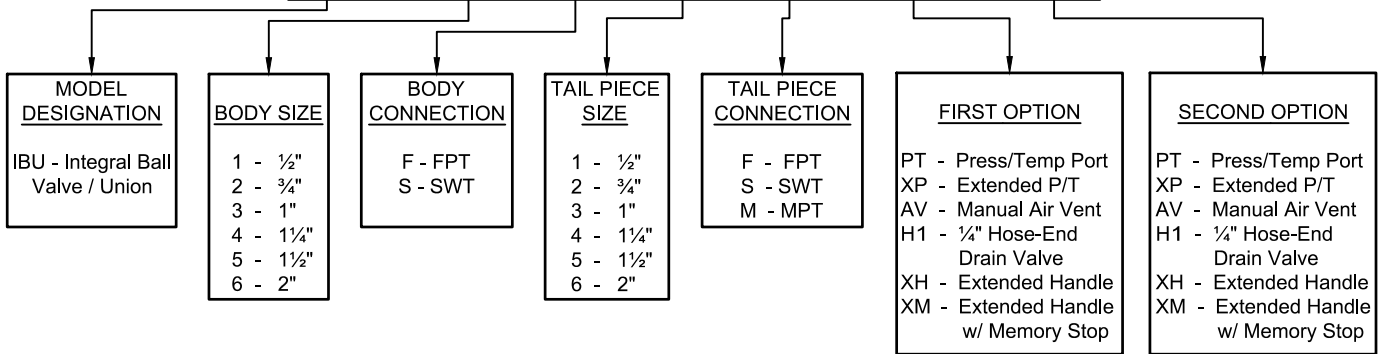




**IBU Series Submittal**  
**Integral Ball Valve/Union**



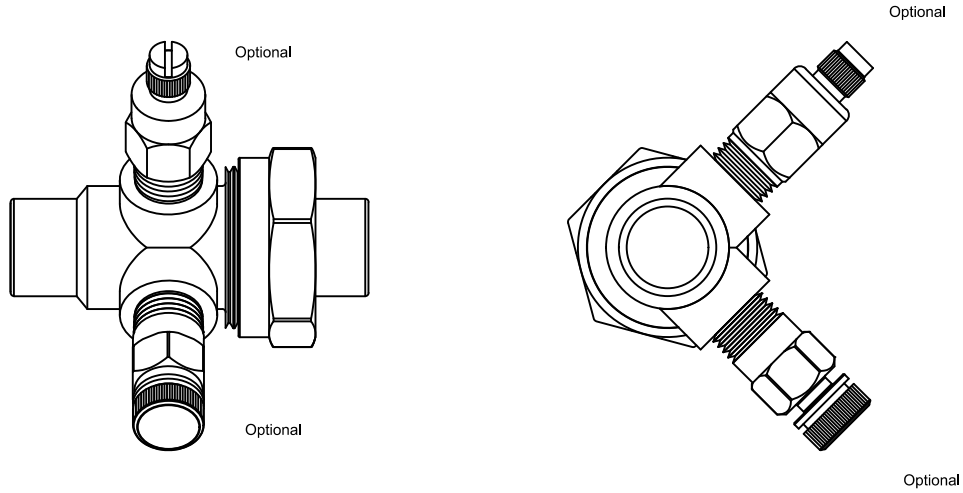
**IBU - X - X - X - X - XX - XX**



JOB NAME:	CUSTOMER:	DATE:
ENGINEER:	REF/PO#:	DATE:
CONTRACTOR:	SUBMITTED BY:	DATE:
PART # (See table above)	TAGGING/JOB INFORMATION	QUANTITY



## AU Series Specifications Accessory Union



Product Description: The AU brass accessory union provides for component isolation. Port section contains two 1/4" ports that come predrilled from the factory and are positioned 90° apart. The union side incorporates an o-ring for maximum sealing protection. Accessory union comes standard with 1/4" plugs installed in the ports. Union side and port side connections available in NPTM, NPTF, and SWT. Rated at 600 WOG @ -22°F to 325°F.

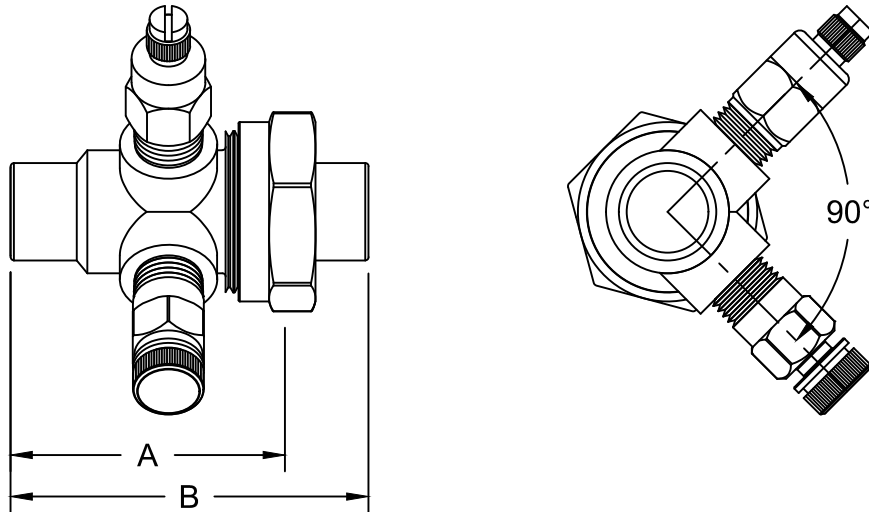
STANDARD MATERIAL SPECIFICATIONS	
Accessory Union	Forged Brass ASTM B283-06
O-Ring	EPDM
Tail Piece	Brass ASTM B124-09, B228-06, or B763-08A
<p>Specification information is provided to assist and is given without obligation or warranty. The Company reserves the right to make changes in design, materials, and/or specifications without notice or liability.</p>	

### PRODUCT SPECIFICATIONS:

- 1/4" ports shall be located 90° distal on a rotational axis
- Integrated ports shall provide functionality for numerous options



## AU Series Dimensions Accessory Union

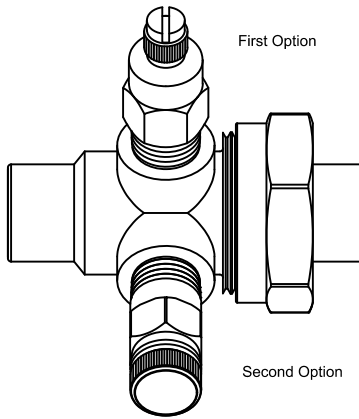


MODEL	SIZE	A	LENGTH "B" / WEIGHT OF PRO-AU AND TAIL PIECE CONNECTION											
			½" M lbs		½" S lbs		½" F lbs		¾" M lbs		¾" S lbs		¾" F lbs	
AU1M	½"	2.7	4.2	0.6	3.3	0.6	3.3	0.6						
AU1S		2.1	3.7	0.5	2.8	0.4	2.8	0.5						
AU1F		2.0	3.6	0.6	2.7	0.5	2.7	0.5						
AU2M	¾"	2.5	4.0	0.7	3.2	0.6	3.6	0.8	4.2	0.7	3.2	0.6	3.3	0.7
AU2S		2.1	3.7	0.6	2.9	0.5	3.3	0.6	3.8	0.6	2.9	0.5	2.9	0.6
AU2F		2.1	3.6	0.7	2.8	0.6	3.2	0.8	3.8	0.7	2.8	0.6	2.9	0.7
AU3M	1"	2.6	4.6	1.1	4.6	1.1	3.4	0.9	4.6	1.2	3.6	0.9	3.5	1.0
AU3S		2.4	4.5	1.0	4.5	1.0	3.3	0.7	4.5	1.0	3.5	0.8	3.4	0.8
AU3F		2.1	4.1	1.0	4.1	1.1	3.0	0.8	4.1	1.1	3.3	0.9	3.1	0.9
AU4M	1¼"	3.0	4.7	1.7	5.0	1.8	5.0	1.9	5.0	1.9	4.1	1.5	4.0	1.6
AU4S		3.0	4.7	1.5	4.9	1.7	4.9	1.7	5.0	1.8	4.1	1.4	4.0	1.5
AU4F		2.3	4.1	1.6	4.3	1.8	4.3	1.8	4.4	1.9	3.4	1.5	3.3	1.6
AU5M	1½"	3.0	4.9	2.3	5.5	2.6	5.5	2.7	5.5	2.5	4.2	2.1	4.3	2.3
AU5S		3.0	4.9	2.2	5.5	2.6	5.5	2.6	5.5	2.5	4.2	2.0	4.2	2.2
AU5F		2.7	4.6	2.3	5.1	2.7	5.1	2.7	5.1	2.6	3.9	2.2	3.9	2.3
AU6M	2"	3.4	6.2	4.3	6.2	4.0	6.2	4.0	6.2	4.1	4.8	3.1	4.6	3.4
AU6S		2.8	5.8	4.0	5.8	3.6	5.8	3.6	5.8	3.7	4.2	2.7	4.0	3.0
AU6F		2.8	5.8	4.5	5.7	4.2	5.7	4.1	5.8	4.2	4.2	3.2	3.9	3.5

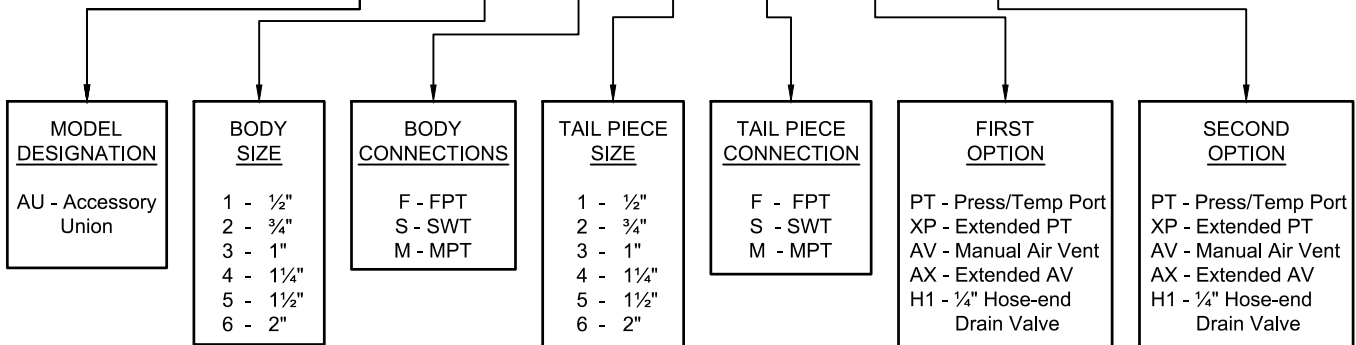
*Note: Dimensions listed above do not include ProPress or any other special fittings or adapters. All dimensions, weights, and materials are subject to minor variations. Consult with factory for confirmation of dimensions, weights, and material specifications. Sweat size listed is nominal and will differ from the actual, measurable size.*



**AU Series Submittal**  
**Accessory Union**



**AU - X - X - X - X - XX - XX**



JOB NAME:		REPRESENTATIVE:
ENGINEER:		REF/PO#:                      DATE:
CONTRACTOR:		SUBMITTED BY:                      DATE:
PART # (See table above)	TAGGING/JOB INFORMATION	QUANTITY