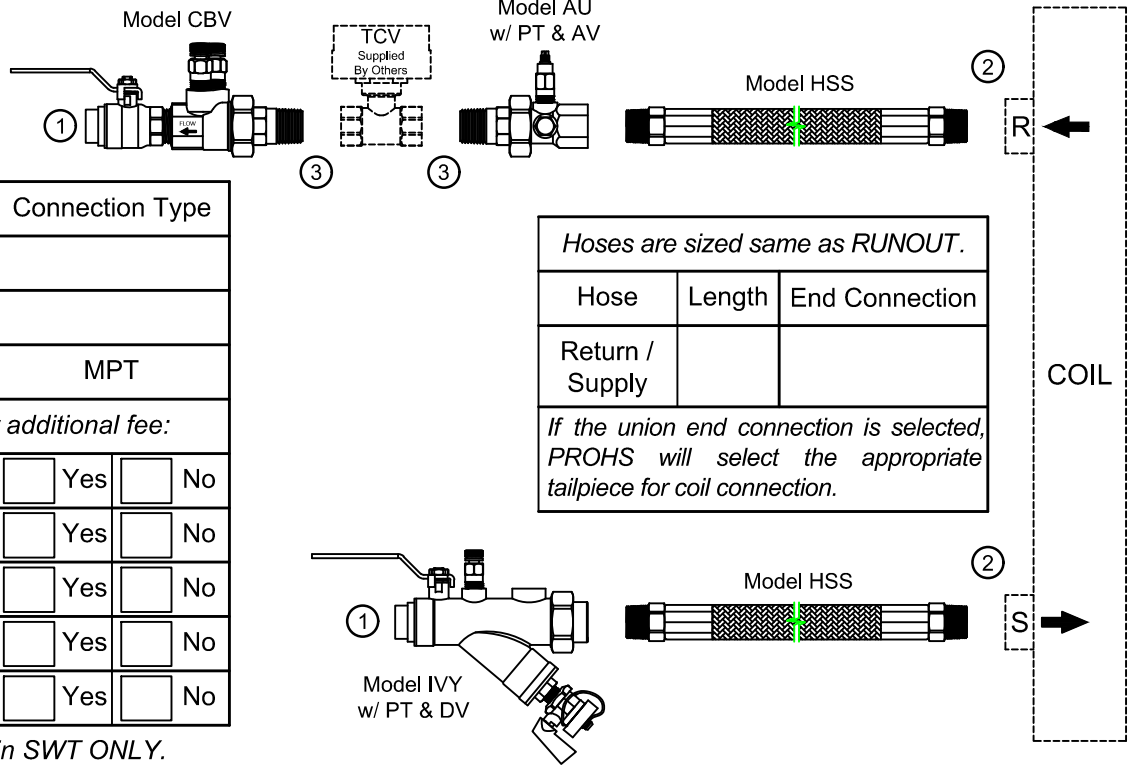


PRO *Hydronic Specialties*

Manual Balancing Kit - V2IH Submittal



	#	Size	Connection Type
Runout	1		
Coil	2		
TCV	3		MPT
<i>Services provided for additional fee:</i>			
Extended Components	<input type="checkbox"/>	Yes <input type="checkbox"/>	No <input type="checkbox"/>
Factory Mounted TCV	<input type="checkbox"/>	Yes <input type="checkbox"/>	No <input type="checkbox"/>
Stainless Steel Trim	<input type="checkbox"/>	Yes <input type="checkbox"/>	No <input type="checkbox"/>
Factory Mounted Hoses	<input type="checkbox"/>	Yes <input type="checkbox"/>	No <input type="checkbox"/>
Bag N Tag	<input type="checkbox"/>	Yes <input type="checkbox"/>	No <input type="checkbox"/>

Hoses are sized same as RUNOUT.

Hose	Length	End Connection
Return / Supply		

If the union end connection is selected, PROHS will select the appropriate tailpiece for coil connection.

* 3/8" Coil Size available in SWT ONLY.
 ** ProPress fittings supplied for additional fee.

PRODUCT DESCRIPTION: The Manual Balancing Valve Kit is a packaged and partially preassembled grouping of components required to complete installation of a terminal unit. Temperature control valves, piping, and coils are supplied "by others". Mounting and testing of the customer supplied TCV is available at an additional charge.

QUANTITY	GPM	TAGGING INFORMATION

JOB NAME		REPRESENTATIVE	
ENGINEER		REF/PO#	DATE
CONTRACTOR		SUBMITTED BY	DATE