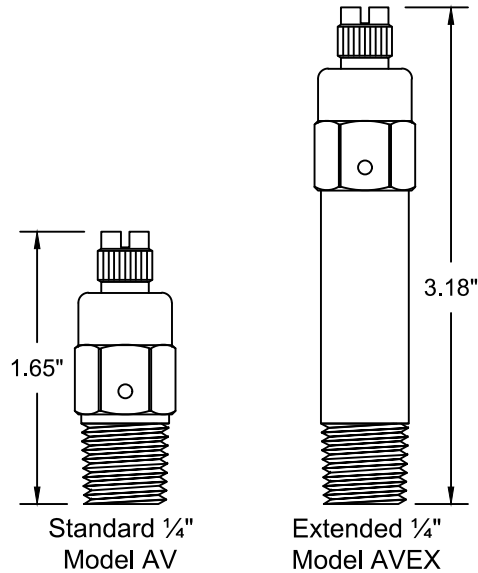




AV Series Specifications
Manual Air Vent



PRODUCT DESCRIPTION: The model AV is a manual air vent that is both knurled and slot operated. The model AV allows for manual purging of air from systems. The AV has a blowout proof stem.

STANDARD MATERIAL SPECIFICATIONS	
AV Body	Brass ASTM B455-05
AV Stem	Brass ASTM B455-05
<p>Specification information is provided to assist and is given without obligation or warranty. The Company reserves the right to make changes in design, materials, and/or specifications without notice or liability.</p>	

PRODUCT SPECIFICATIONS:

- Maximum working pressure: 600 WOG
- Maximum working temperature: -22°F to 325°F
- The standard length AV is intended for use where insulation is 1" or less.
- The extended length AV is intended for use where insulation is 2 1/2" or less.