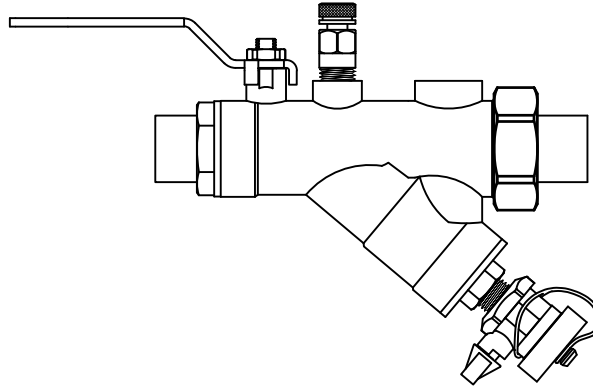




IVY Series Installation and Operations Manual Integral Ball Valve/Wye Strainer/Union



PRODUCT DESCRIPTION: The IVY is an integral full port ball valve, wye-strainer and union. A ¼" standard port and by-pass tap are provided at the forward 12:00 position. The bypass port comes tapped and plugged for 2-way kit configurations and remains open on 3-way kit configurations for bypass valve installation. (See *IVY Series Dimensions page for bypass valve sizes.*) An additional ¼" side port is available for factory drilling and tapping. The strainer has a 20-mesh stainless steel screen to aid in debris removal. The strainer cap has a ¼" tap for a hose-end drain valve. The ball valve has a PTFE packing gland, brass packing nut, and blow-out proof double o-ring stem seal. The fixed end connections may be FNPT or SWT. The union side connections include MNPT, FNPT, SWT, and a variety of reductions.

PRO Hydronic Specialties (PROHS) assumes no responsibility for injuries or damages that result from the nonobservance or noncompliance with installation and operational procedures. It is the responsibility of each link in the supply chain between the factory and the ultimate installation to assure each subsequent party has a copy of this document and understands the proper installation and cautions concerning this product. Upon receipt of shipment, the product should be thoroughly inspected for any damage. Once installed, the product should be checked under pressure for leaks and thereafter at least annually.

Limited Warranty: PROHS's liability is limited to the repair or replacement of the defective component. By purchasing and/or installing PROHS products, it is understood the purchaser/installer contractually agrees with the warranty terms as stated here and elaborated in the full warranty statement found at www.prohydronicspecialties.com. PROHS makes no general claim of usability of this product unless PROHS is directly advised of the specific use and installation of this product and responds in writing.

CAUTION

CAREFULLY FOLLOW THESE INSTRUCTIONS. FAILURE TO DO SO MAY RESULT IN SERIOUS PERSONAL INJURY AND/OR PROPERTY DAMAGE.

- DO NOT use pipe dope or sealant on union threads, o-rings, or in o-ring grooves. Doing so can result in leaks.
- DO NOT use silver solder for sweat end models.
- DO NOT use an excessive amount of flux or solder.
- DO NOT over tighten the union nut. Tool marks on the union nut indicate over tightening.
- DO NOT adjust factory installed and tested fittings.
- DO NOT apply wrench to the IVY body - apply wrench only to the retainer section. (See pg 2 Recommendations & Maintenance)
- ALWAYS use a heat sink when soldering. Do not overheat product.
- ALWAYS use properly engineered pipe supports and avoid placing excessive loads on the product.
- ALWAYS perform no less than annual inspections on components. These products are dynamic in nature and due to varying system conditions there are no representations as to the duration of useful life for these products in excess of the warranty.
- ALWAYS pressure test the components once installed to assure no leaks exist. If a leak or defect is found, immediately isolate from pressure and contact the factory for repair or replacement under warranty.
- ALWAYS isolate the product from pressure when leaks or damage are detected to avoid property damage and contact the factory immediately to determine appropriate actions. The factory is not responsible for damages as the result of any repairs performed on the products while under pressure.
- Failure to follow these cautions, not following standard industry practices, and/or using non-trained/unqualified installers could result in catastrophic failure.

IVY Recommendations and Maintenance

- The IVY should be installed on the SUPPLY side of the coil.
- Allow ample room for drain valve and mesh screen removal via removal of the strainer cap.
- Check the differential pressure reading across the IVY periodically to verify if the screen may be clogged with debris and is in need of cleaning.

Option 1: Flushing out of Strainer Sleeve

- Leave system pressure on the IVY.
- Connect a water hose to the drain valve with the opposite end placed in a bucket or other object to catch water.
- Open the drain valve fully allowing for debris removal.
- Close and open several times to allow pressure changes to dislodge extra debris.
- Close drain valve.
- Remove hose.
- Replace drain valve cap.

Option 2: Removing sleeve for cleaning

Removal

- Isolate the pressure to the IVY by closing the system isolation valves. The IVY includes such a valve.
- Relieve the pressure from the isolated section.
- Drain by placing a hose on the drain valve, then open the drain valve.
- Remove the cap from the strainer section of the IVY.
- Remove the sleeve.
- Clean the sleeve.

Reinstallation

- Inspect the o-ring seal on the cap for tears.
- Reinstall the strainer sleeve assuring damage is not done to the ends
- Install and snug the cap. Silicone lubricant is recommended on the cap o-ring. **DO NOT USE PIPE SEALANT ON THE CAP THREADS.**
- Close the drain valve, and replace the drain valve cap.
- Open the inlet isolation valve, then the outlet isolation valve slowly as to avoid any pulse or damage to the coil and/or control valve.

Inspection

- Inspect the IVY and other connections around the coil for leaks.

