

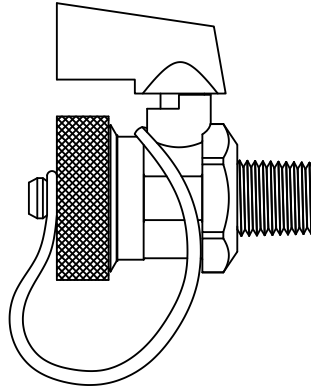


PRO *Hydronic*

Specialties

DV Series Specifications

Hose-End Drain Valve



PRODUCT DESCRIPTION: The Model DV is a hose-end drain valve that is designed for quick and easy draining of a piping system or component. The drain valve incorporates a mini-ball for on and off functioning, and has removable cap where a 3/4" GHT hose can be connected. The drain valves are available in 1/4" MNPT, 1/2" MNPT, and 3/4" MNPT end connections.

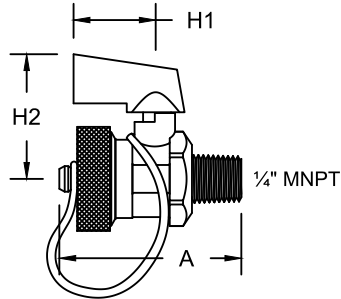
STANDARD MATERIAL SPECIFICATIONS	
Body	Brass
Cap	Brass
Cap Gasket	NBR Rubber
Cap Strap	EPDM Dual Durometer Core
Ball	Chrome Plated Brass
Ball Seat	Teflon
Handle	Plastic for 1/4", Chrome Plated Steel for 1/2" and 3/4"
<p>Specification information is provided to assist and is given without obligation or warranty. The Company reserves the right to make changes in design, materials, and/or specifications without notice or liability.</p>	

PRODUCT SPECIFICATIONS:

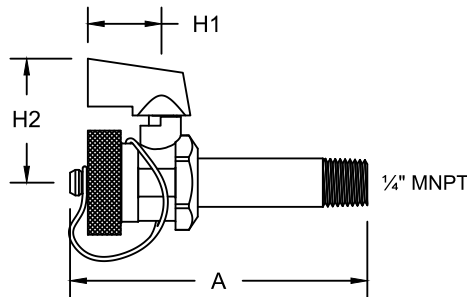
- Maximum working pressure: 600 WOG / CWP
- Maximum working temperature: -22°F to 250°F

PRO *Hydronic* *Specialties*

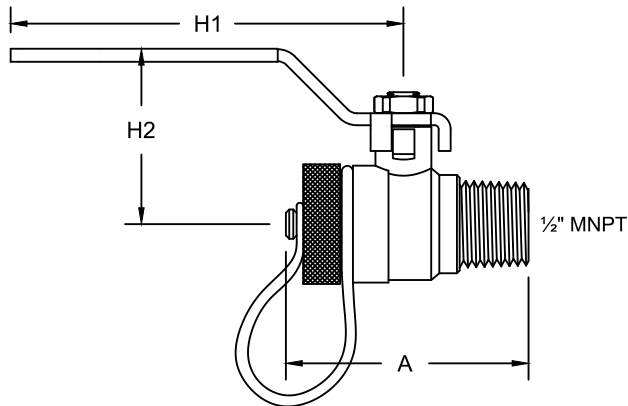
DV Series Dimensions Hose-End Drain Valve



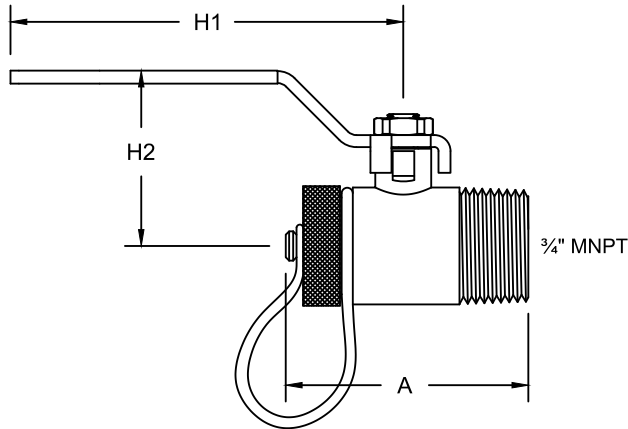
1/4" HOSE-END DRAIN VALVE				
MODEL	A	H1	H2	WEIGHT
MV001	2.0	0.8	1.3	0.23



1/4" HOSE-END EXT DRAIN VALVE				
MODEL	A	H1	H2	WEIGHT
MV001EX	3.0	0.8	1.3	0.28



1/2" HOSE-END DRAIN VALVE				
MODEL	A	H1	H2	WEIGHT
MV002	2.4	3.4	1.8	0.44



3/4" HOSE-END DRAIN VALVE				
MODEL	A	H1	H2	WEIGHT
MV003	2.4	3.4	1.8	0.49

NOTE: All dimensions, weights, and materials are subject to minor variations. Consult with the factory for confirmation of dimensions, weights, and material specifications.