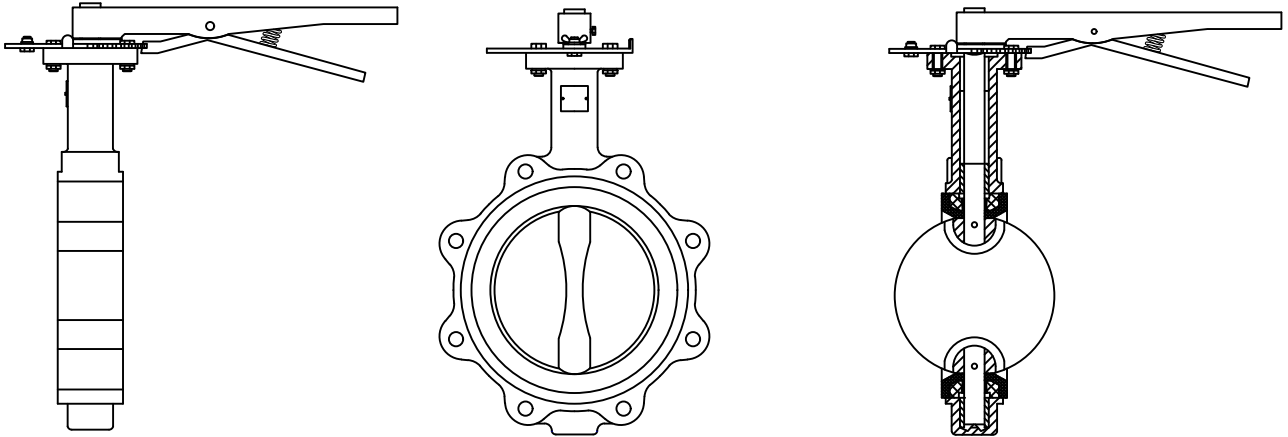




BFV Series Specifications  
Butterfly Valve

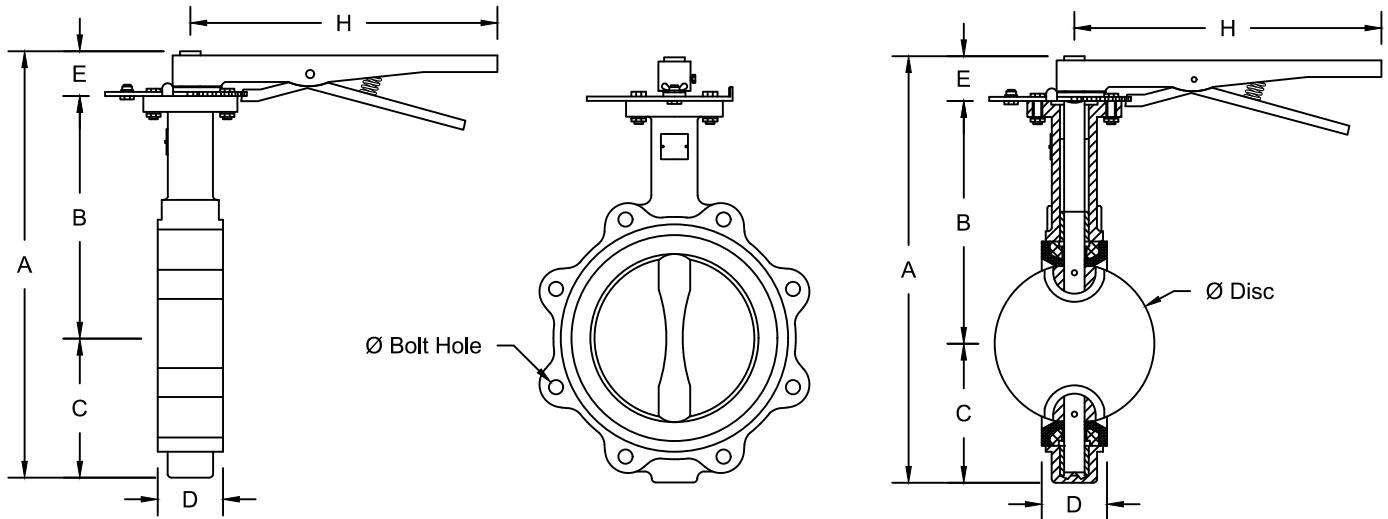


**PRODUCT DESCRIPTION:** The BFV is a lug type butterfly valve used for throttling. The Nodular cast iron butterfly valve is designed to be installed between standard ANSI Class 150 pound flanges. The BFV has a combination infinite/10 position memory stop plate, a one piece disc/shaft, a triple shaft bearing, an stainless steel disc for sizes, and an EPDM seat. Cap set screws are available upon request for an additional charge. This Butterfly Valve meets SP-67 Specifications, Type 1.

STANDARD MATERIAL SPECIFICATIONS	
Body	Nodular Cast Iron
Seat	EPDM
Disc	Stainless Steel
Stem	Steel 316 Stainless Steel
Seal Support	Plastic
O-Ring	NBR
Bushings	PTFE
Taper Pin	Stainless Steel
PRODUCT SPECIFICATIONS	
Ratings	Seat: -22°F to 250°F Pressure: Full - 232 PSI    Dead End - 200 PSI
Meets SP-67 Specifications, Type 1	
Specification information is provided to assist and is given without obligation or warranty. The Company reserves the right to make changes in design, materials, and/or specifications without notice or liability.	



## BFV Series Dimensions Butterfly Valve



Model	Size		A	B	C	D	E	H	Ø Disc	Ø Bolt Hole	# of Bolts	Weight Lbs
	Nominal	Metric										
BFV250	2½"	DN65	11.65	6.89	3.50	1.81	1.26	10.25	2.50	5/8"	4	12
BFV300	3"	DN80	12.13	7.13	3.74	1.81	1.26	10.25	3.00	5/8"	4	12
BFV400	4"	DN100	14.80	7.87	5.67	2.05	1.26	10.25	4.00	5/8"	8	18
BFV500	5"	DN125	14.65	8.39	5.00	2.20	1.26	10.25	5.00	3/4"	8	22
BFV600	6"	DN150	15.63	8.90	5.47	2.20	1.26	10.25	6.00	3/4"	8	25
BFV800	8"	DN200	18.90	10.24	6.89	2.36	1.77	*	8.00	3/4"	8	54
BFV1000	10"	DN250	21.26	11.50	7.99	2.68	1.77	*	10.00	7/8"	12	84
BFV1200	12"	DN300	24.57	13.27	9.53	3.07	1.77	*	12.00	7/8"	12	116

\* Denotes a gear operated valve.

Note: All dimensions, weights, and materials are subject to minor variations. Consult with factory for confirmation of dimensions, weights, and material specifications at the time of order.