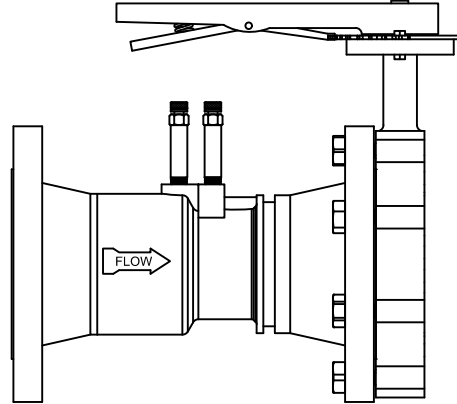


PRO *Hydronic* Specialties

CBVF Series Specifications

Combination Butterfly/Venturi with Flange



PRODUCT DESCRIPTION: The CBVF is a combination butterfly valve and flanged style venturi. The carbon steel venturi connects to standard ANSI Class 150 pound flanges, and is combined with a lug type butterfly valve for throttling. The Nodular cast iron butterfly valve has a combination infinite/10 position memory stop plate, a one piece disc/shaft, a triple shaft bearing, an stainless steel disc, and an EPDM standard liner. The CBVF comes standard with two pressure/temperature ports.

Nominal Line Size	Model No.	Lower Flow Range (GPM)	Upper Flow Range (GPM)	Flow Factor (FF)	Weight (Lbs)	STANDARD MATERIAL SPECIFICATIONS	
						Venturi	
2½"	CBVF250L	30	100	147	35	Venturi	Steel Casting, Carbon ASTM A216 Grade WCB
	CBVF250H	40	220	319	35	Flange	Forged Carbon Steel ASTM A105
3"	CBVF300L	30	160	227	43	Butterfly Valve	Nodular Cast Iron
	CBVF300H	80	400	578	41	Seat	EPDM
4"	CBVF400L	80	430	611	60	Disc	Stainless Steel
	CBVF400H	130	720	1029	56	Stem	Stainless Steel
5"	CBVF500	160	880	1267	76	Seal Support	Plastic
						O-Ring	NBR
6"	CBVF600	200	1100	1551	101	Bushings	PTFE
						Taper Pin	Stainless Steel
8"	CBVF800	520	2000	2824	172	PT	Brass ASTM B455-05
						PT Core	EPDM Dual Durometer Core
10"	CBVF1000	580	2950	4164	281		
12"	CBVF1200	1250	6700	9670	422		
CONNECTIONS:						CALCULATIONS:	
Inlet - Raised Face Flange Outlet - Lug Butterfly Valve						$D.P. = \sqrt{(GPM * 17.3 / FF)^2}$ $GPM = \sqrt{D.P. * FF / 17.3}$	

Specification information is provided to assist and is given without obligation or warranty. The Company reserves the right to make changes in design, materials, and/or specifications without notice or liability.

PRODUCT SPECIFICATIONS:

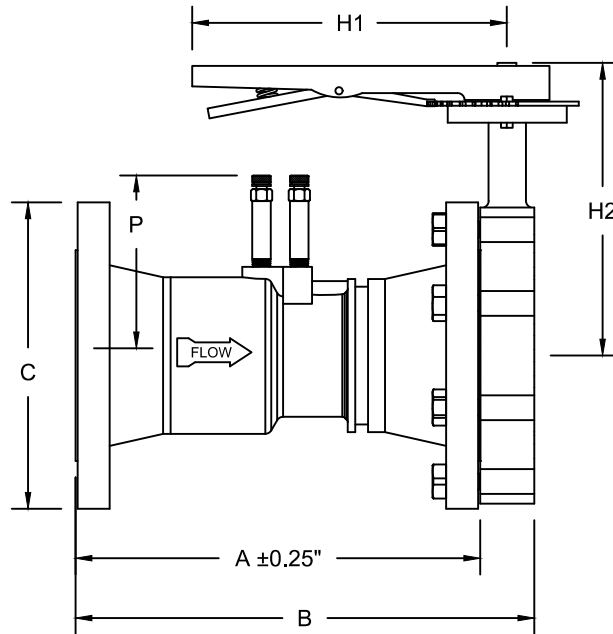
- Butterfly valve is rated at 200 PSIG and is suitable for dead-end service
- Maximum pressure loss 6% of differential pressure
- The carbon steel Venturi accuracy rating: ±1% Between 10" w.c. and 70" w.c. based on Coefficient of Discharge
±3% Between 5" w.c. and 150" w.c.



PRO Hydronic Specialties

 CBVF Series Dimensions

Combination Butterfly/Venturi with Flange



SIZE	A	B	C	H1	H2	P
2½" L & H	10.96	12.77	7.00	10.25	8.15	4.20
3" L & H	11.28	13.09	7.50	10.25	8.39	4.37
4" L & H	12.47	14.52	9.00	10.25	9.13	4.85
5"	13.49	15.69	10.00	10.25	9.65	5.50
6"	14.98	17.18	11.00	10.25	10.16	6.15
8"	16.85	19.21	13.50	*	*	7.11
10"	20.57	23.25	16.00	*	*	7.94
12"	26.10	29.17	19.00	*	*	9.63

* Denotes a gear operated valve.

Note: All dimensions and materials are subject to minor variations. Consult with factory for confirmation of dimensions and material specifications at the time of order.