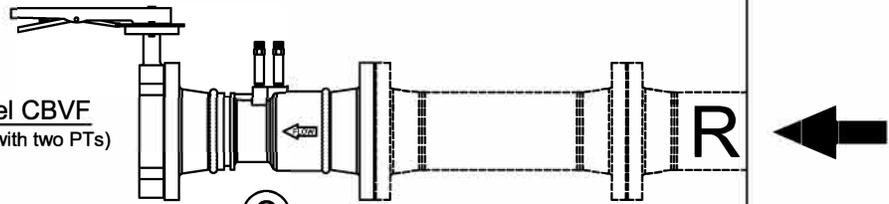


# PRO *Hydronic Specialties*

## Manual Steel Balancing Kit - SVY Submittal

**Model CBVF**  
(comes with two PTs)

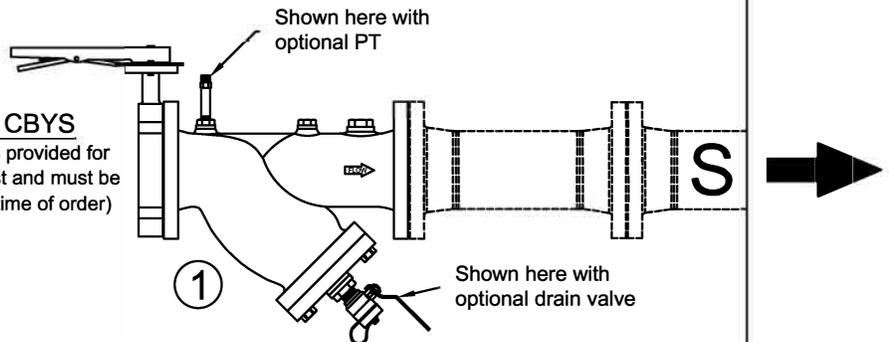
②



#	Model	Size
1	CBYS	
2	CBVF	

**Model CBYS**  
(accessories provided for additional cost and must be specified at time of order)

①



COIL



**PRODUCT DESCRIPTION:** The Manual Balancing Valve Kit is a packaged and partially preassembled grouping of components required to complete installation of a terminal unit. Temperature control valves, piping, and coils are supplied "by others". Mounting and testing of the customer provided TCV is available at an additional charge. Parts for reductions in line size are available for an additional charge. Consult with factory for information and pricing.

QUANTITY	GPM	TAGGING INFORMATION

JOB NAME:

REPRESENTATIVE:

ENGINEER:

REF/PO#:

DATE:

CONTRACTOR:

SUBMITTED BY:

DATE: