

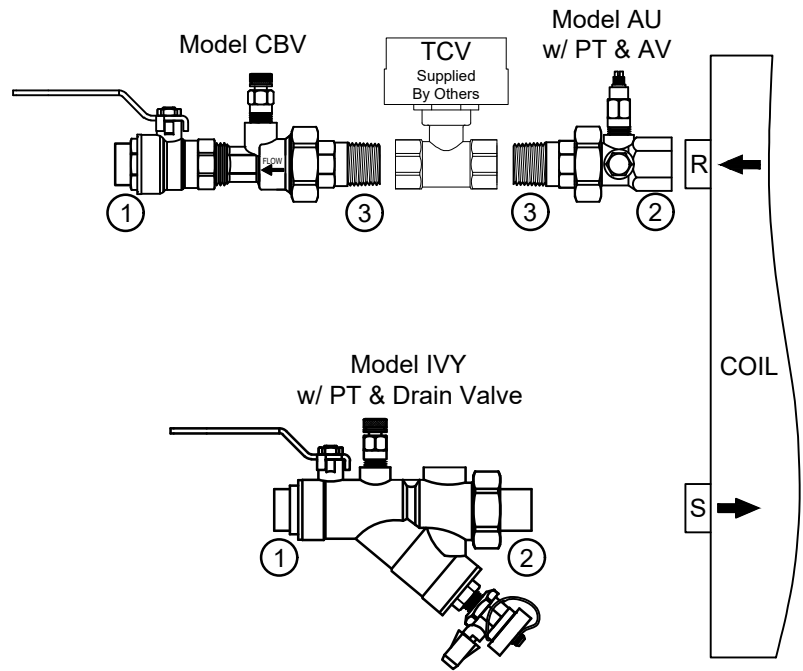
# PRO *Hydronic* Specialties

## Manual Balancing 2-Way Kit - V2I Submittal

|  | #                        | Size | Connection Type          |
|--|--------------------------|------|--------------------------|
| Runout                                       | 1                        |      |                          |
| Coil   | 2                        |      |                          |
| TCV  | 3                        |      | MPT                      |
| <i>Services provided for additional fee:</i> |                          |      |                          |
| Extended Components                          | <input type="checkbox"/> | Yes  | <input type="checkbox"/> |
| Factory Mounted TCV                          | <input type="checkbox"/> | Yes  | <input type="checkbox"/> |
| Stainless Steel Trim                         | <input type="checkbox"/> | Yes  | <input type="checkbox"/> |

\* 3/8" Coil Size available in SWT ONLY.

\*\* ProPress fittings supplied for additional fee.



**PRODUCT DESCRIPTION:** The V2I Manual Balancing 2-way Valve Kit is a packaged and partially preassembled grouping of components required to complete installation of a terminal unit. Temperature control valves, piping, and coils are supplied "by others". Mounting and testing of the customer provided TCV is available at an additional charge.

| QUANTITY | GPM | TAGGING INFORMATION |
|----------|-----|---------------------|
|          |     |                     |
|          |     |                     |
|          |     |                     |
|          |     |                     |
|          |     |                     |
|          |     |                     |
|          |     |                     |
|          |     |                     |
|          |     |                     |
|          |     |                     |
|          |     |                     |

|             |                 |       |
|-------------|-----------------|-------|
| JOB NAME:   | REPRESENTATIVE: |       |
| ENGINEER:   | REF/PO#:        | DATE: |
| CONTRACTOR: | SUBMITTED BY:   | DATE: |