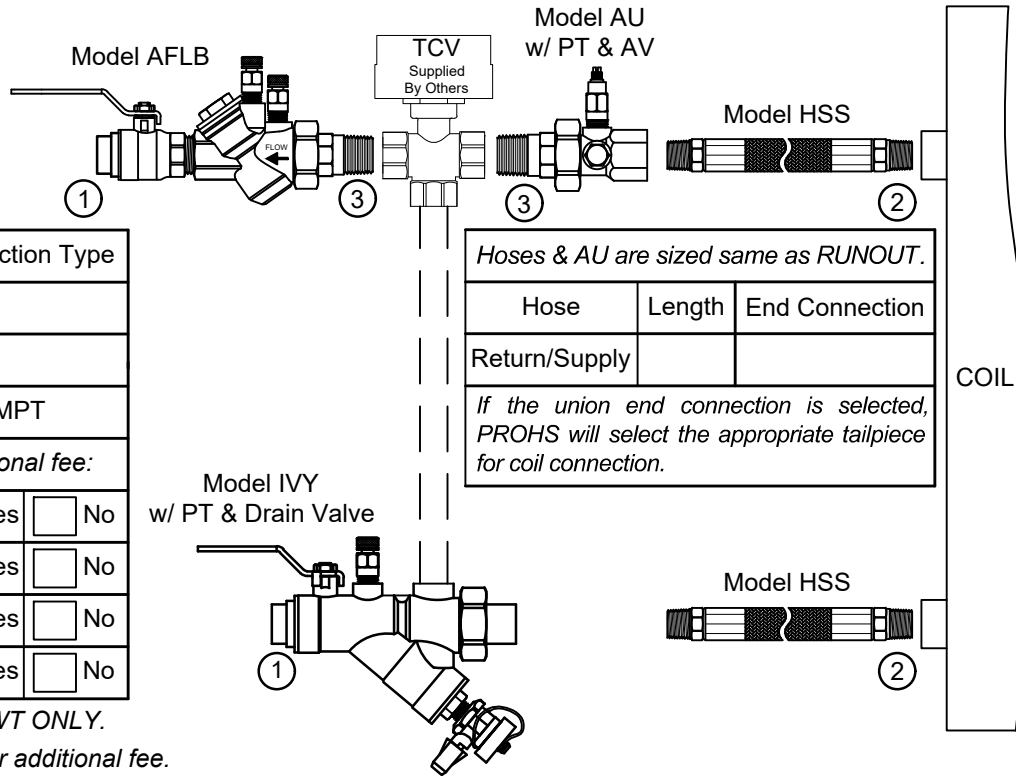


# PRO Hydronic Specialties

## Automatic Balancing 3-Way Kit - A3IH Submittal



|        | # | Size | Connection Type |
|--------|---|------|-----------------|
| Runout | 1 |      |                 |
| Coil   | 2 |      |                 |
| TCV    | 3 |      | MPT             |

\* 3/8" Coil Size available in SWT ONLY.

\*\* ProPress fittings supplied for additional fee.

By default, if Factory Connect Hoses is checked "YES", an integral Fixed Tailpiece connection will be used to connect to component when applicable.

**PRODUCT DESCRIPTION:** The A3IH Automatic Balancing 3-way Valve Kit is a packaged and partially preassembled grouping of components required to complete installation of a terminal unit. Temperature control valves, piping, and coils are supplied "by others". Mounting and testing of the customer supplied TCV is available at an additional charge.

| QUANTITY | GPM | TAGGING INFORMATION |
|----------|-----|---------------------|
|          |     |                     |
|          |     |                     |
|          |     |                     |
|          |     |                     |
|          |     |                     |
|          |     |                     |
|          |     |                     |
|          |     |                     |
|          |     |                     |
|          |     |                     |

|             |                 |       |
|-------------|-----------------|-------|
| JOB NAME:   | REPRESENTATIVE: |       |
| ENGINEER:   | REF/PO#:        | DATE: |
| CONTRACTOR: | SUBMITTED BY:   | DATE: |