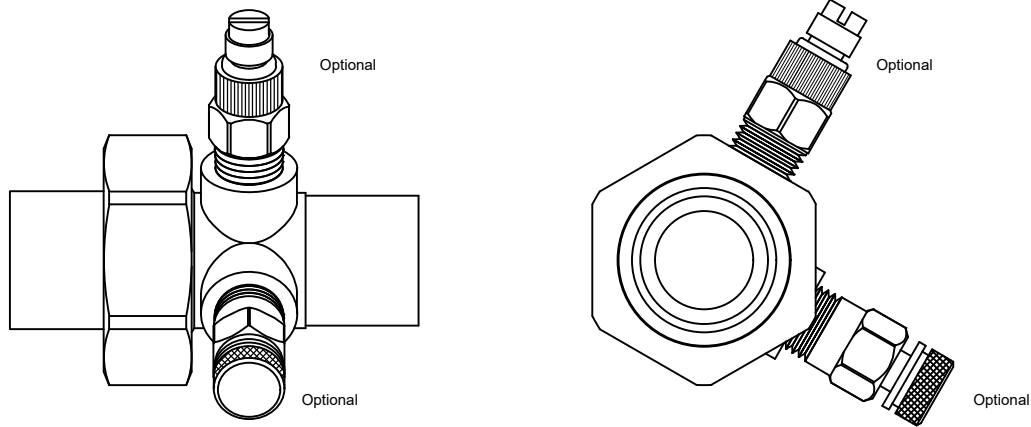




## AU Series Specifications Accessory Union



Product Description: The AU brass accessory union provides for component isolation. Port section contains two 1/4" ports that come predrilled from the factory and are positioned 90° apart. The union side incorporates an o-ring for maximum sealing protection. Accessory union comes standard with 1/4" plugs installed in the ports. Union side and port side connections available in NPTM, NPTF, and SWT. Rated at 600 WOG @ 250° F.

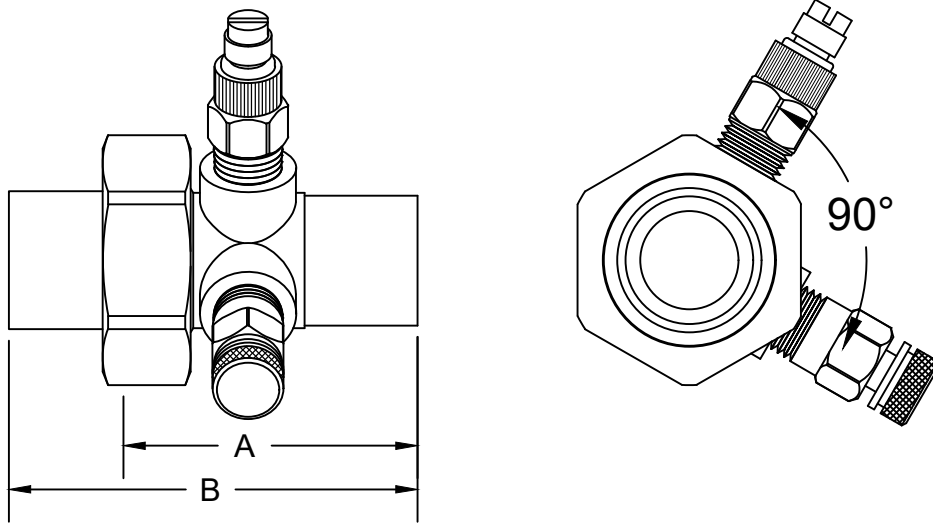
STANDARD MATERIAL SPECIFICATIONS	
Accessory Union	Forged Brass ASTM B283-06
O-Ring	EPDM
Tail Piece	Brass ASTM B124-09, B228-06, or B763-08A
<p>Specification information is provided to assist and is given without obligation or warranty. The Company reserves the right to make changes in design, materials, and/or specifications without notice or liability.</p>	

**PRODUCT SPECIFICATIONS:**

- 1/4" ports shall be located 90° distal on a rotational axis
- Integrated ports shall provide functionality for numerous options



## AU Series Dimensions Accessory Union

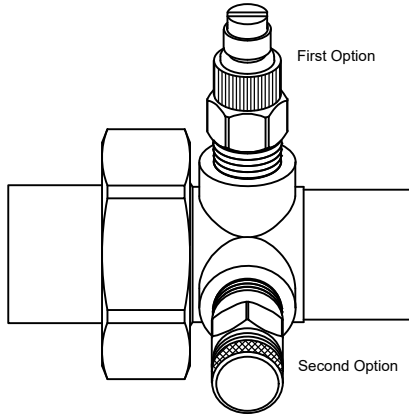


MODEL	SIZE	A	LENGTH "B" / WEIGHT OF PRO-AU AND TAIL PIECE CONNECTION											
			$\frac{1}{2}$ " M	lbs	$\frac{1}{2}$ " S	lbs	$\frac{1}{2}$ " F	lbs	$\frac{3}{4}$ " M	lbs	$\frac{3}{4}$ " S	lbs	$\frac{3}{4}$ " F	lbs
AU1M	$\frac{1}{2}$ "	2.7	4.3	0.5	3.3	0.5	3.3	0.5						
AU1S		2.1	3.7	0.4	2.8	0.4	2.8	0.4						
AU1F		2.0	3.5	0.4	2.6	0.3	2.6	0.4						
AU2M	$\frac{3}{4}$ "	2.5	4.1	0.6	3.2	0.5	3.2	0.6	4.1	0.8	3.2	0.5	3.2	0.6
AU2S		2.1	3.7	0.5	2.8	0.4	2.8	0.5	3.7	0.7	2.8	0.4	2.8	0.4
AU2F		2.0	3.6	0.6	2.7	0.5	2.7	0.6	3.6	0.8	2.7	0.5	2.7	0.5
AU3M	1"	2.6	4.6	0.9	4.6	1.0	3.4	0.7	4.6	1.0	3.5	0.7	3.6	0.8
AU3S		2.1	4.1	0.8	4.1	0.8	2.9	0.6	4.1	0.8	3.0	0.6	3.1	0.6
AU3F		2.4	4.4	0.9	4.4	1.0	3.2	0.7	4.4	1.0	3.3	0.7	3.4	0.8
AU4M	$1\frac{1}{4}$ "	3.0	5.0	1.3	5.0	1.5	5.0	1.5	5.0	1.5	4.1	1.1	4.0	1.4
AU4S		2.3	4.3	1.2	4.3	1.4	4.3	1.4	4.3	1.4	3.4	1.0	3.3	1.3
AU4F		3.0	5.0	1.3	5.0	1.5	5.0	1.5	5.0	1.6	4.1	1.1	4.0	1.4
AU5M	$1\frac{1}{2}$ "	3.0	4.9	2.2	5.5	2.3	5.5	2.2	5.5	2.1	4.3	1.5	4.3	1.8
AU5S		2.6	4.5	2.1	5.1	2.2	5.1	2.1	5.1	2.0	3.9	1.5	3.9	1.7
AU5F		3.0	4.9	2.3	5.5	2.4	5.5	2.3	5.5	2.2	4.3	1.7	4.2	1.9
AU6M	2"	3.4	5.5	3.8	6.4	3.7	6.4	3.6	6.4	3.6	4.6	2.5	4.9	2.9
AU6S		2.8	4.8	3.5	5.8	3.4	5.8	3.3	5.8	3.3	3.9	2.2	4.2	2.6
AU6F		3.0	5.1	4.0	6.0	3.9	6.0	3.8	6.0	3.8	4.2	2.7	4.5	3.1

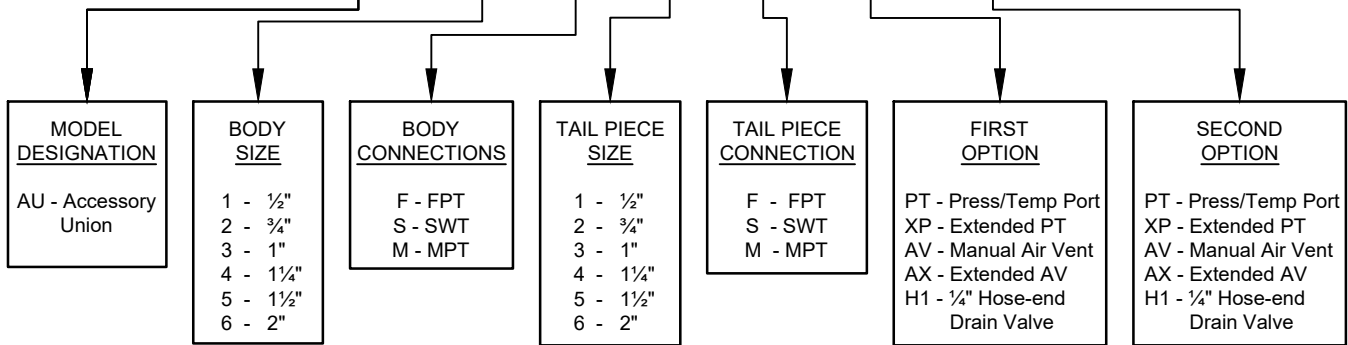
*Note: Dimensions listed above do not include ProPress or any other special fittings or adapters. All dimensions, weights, and materials are subject to minor variations. Consult with factory for confirmation of dimensions, weights, and material specifications. Sweat size listed is nominal and will differ from the actual, measurable size.*



**AU Series Submittal**  
**Accessory Union**



**AU - X - X - X - X - XX - XX**



JOB NAME:		REPRESENTATIVE:	
ENGINEER:		REF/PO#:	DATE:
CONTRACTOR:		SUBMITTED BY:	DATE:
PART # (See table above)	TAGGING/JOB INFORMATION	QUANTITY	