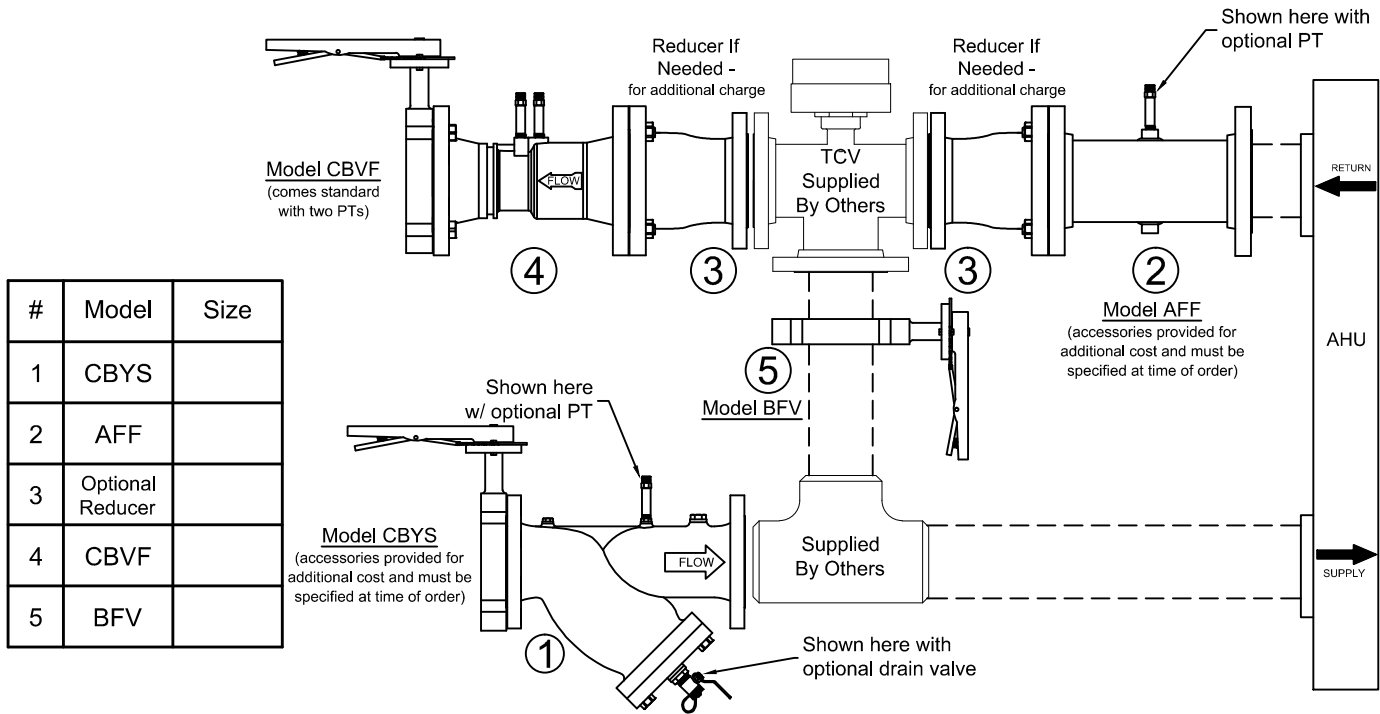


# PRO *Hydronic* Specialties

## Manual Steel Balancing 3-Way Kit - SV3Y Submittal



#	Model	Size
1	CBYS	
2	AFF	
3	Optional Reducer	
4	CBVF	
5	BFV	

**PRODUCT DESCRIPTION:** The SV3Y Manual Balancing Valve Kit is a packaged and partially preassembled grouping of components required to complete installation of a terminal unit. Temperature control valves, piping, and coils are supplied "by others". Mounting and testing of the customer provided TCV is available at an additional charge. Parts for reductions in line size are available at an additional charge. Consult with factory for information and pricing.

QUANTITY	GPM	TCV	TAGGING INFORMATION

JOB NAME:	CUSTOMER:
ENGINEER:	REF/PO#: <span style="float: right;">DATE:</span>
CONTRACTOR:	SUBMITTED BY: <span style="float: right;">DATE:</span>