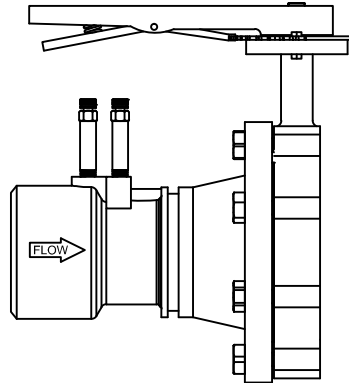




CBVW Series Specifications

Combination Butterfly/Venturi w/ Weld End



PRODUCT DESCRIPTION: The CBVW is a combination butterfly valve and weld end style venturi. The weld end carbon steel venturi connects to a standard ANSI Class 150 pound flange, and is combined with a lug type butterfly valve for throttling. The cast iron butterfly valve has a combination infinite/10 position memory stop plate, a one piece disc/shaft, a triple shaft bearing, an aluminum-bronze disc for sizes 2½" - 8", a nickel plated disc for the 10" and 12" sizes, and an EPDM standard liner. The CBVW comes standard with two pressure/temperature ports.

Line Size	Model No.	Lower Flow Range (GPM)	Upper Flow Range (GPM)	Flow Factor (FF)	Weight (Lbs)	STANDARD MATERIAL SPECIFICATIONS	
						Venturi	Steel Casting, Carbon ASTM A216 Grade WCB
2½"	CBVW250L	30	100	147	26	Flange	Forged Carbon Steel ASTM A105
	CBVW250H	40	220	319	26	Butterfly Valve	Nodular Cast Iron ASTM A536 60-4-18
3"	CBVW300L	30	160	227	33	Seat	EPDM Rubber
	CBVW300H	80	400	578	31	Disc (2½" - 8")	Aluminum-Bronze Sand Casting, ASTM B148 C95800
4"	CBVW400L	80	430	611	46	Disc (10 & 12")	Nickel Plated Aluminum-Bronze Sand Casting, ASTM B148 C95800
	CBVW400H	130	720	1029	41	Shaft	Stainless Steel AISI 410
5"	CBVW500	160	880	1267	59	O-Ring	EPDM Rubber
6"	CBVW600	200	1100	1551	78	Bearing	Copper ASTM B45
8"	CBVW800	520	2000	2824	137	Bearing Bush	PTFE
10"	CBVW1000	580	2950	4164	236	Hand Lever	Nodular Cast Iron ASTM A536 60-4-18
12"	CBVW1200	1250	6700	9670	351	PT	Brass ASTM B455-05
						PT Core	EPDM Dual Durometer Core
CONNECTIONS:		Inlet - Weld End			CALCULATIONS:		
		Outlet - Lug Butterfly Valve			D.P. = (GPM * 17.3 / FF) ²		
					GPM = √D.P. * FF / 17.3		

Specification information is provided to assist and is given without obligation or warranty. The Company reserves the right to make changes in design, materials, and/or specifications without notice or liability.

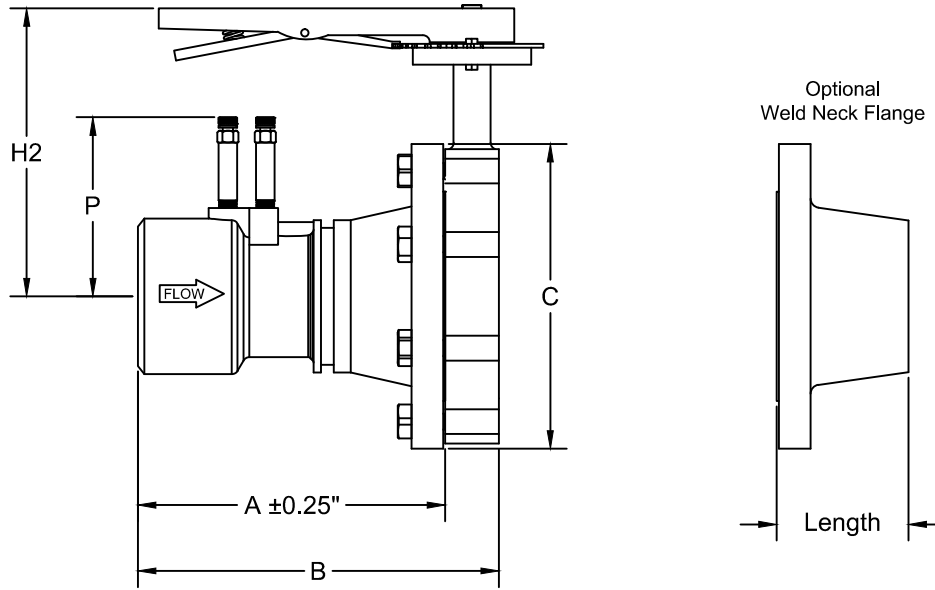
PRODUCT SPECIFICATIONS:

- Butterfly valve is rated at 200 PSIG and is suitable for dead-end service
- Maximum pressure loss 6% of differential pressure
- The carbon steel Venturi accuracy rating: ±1% Between 10" w.c. and 70" w.c. based on Coefficient of Discharge
±3% Between 5" w.c. and 150" w.c.



CBVW Series Dimensions

Combination Butterfly/Venturi w/ Weld End



SIZE	A	B	C	H1	H2	P	With Optional Weld Neck Flange		
							Model	Length	Weight
2½" L & H	8.0	9.8	7.0	10.5	8.1	5.3	FL250WN	+ 2.8	+ 10
3" L & H	8.3	10.1	7.5	10.5	8.2	5.5	FL300WN	+ 2.8	+ 12
4" L & H	9.3	11.3	9.0	10.5	9.0	6.0	FL400WN	+ 3.0	+ 16
5"	9.8	11.9	10.0	10.5	9.4	6.6	FL500WN	+ 3.5	+ 20
6"	11.3	13.5	11.0	10.5	10.2	7.2	FL600WN	+ 3.5	+ 25
8"	12.7	15.1	13.5	*	*	8.4	FL800WN	+ 4.0	+ 43
10"	16.4	19.0	16.0	*	*	8.5	FL1000WN	+ 4.0	+ 56
12"	21.6	24.6	19.0	*	*	12.4	FL1200WN	+ 4.5	+ 86

* Denotes a gear operated valve.

Note: All dimensions and materials are subject to minor variations. Consult with factory for confirmation of dimensions and material specifications at the time of order.