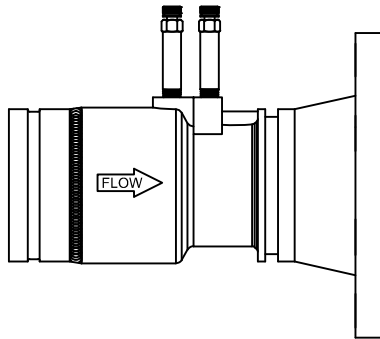




SGVF Series Specifications Steel Groove Venturi with Flange



PRODUCT DESCRIPTION: The SGVF is a grooved by flange style venturi. The grooved end carbon steel venturi connects to a standard ANSI Class 150 pound flange. The venturi is designed for highly accurate flow measurement with low pressure loss. High and low flow ranges are available in the 2½", 3", and 4" sizes. The SGVF comes standard with two pressure/temperature ports.

| Nominal Line Size | Model # | Lower Flow Range (GPM) | Upper Flow Range (GPM) | Flow Factor (FF) | Weight | Inlet | Outlet |
|----------------------------------|--|------------------------|------------------------|--|--------|-------------|--------|
| 2½" | SGVF250L | 30 | 100 | 147 | 14 | Grooved End | Flange |
| | SGVF250H | 40 | 220 | 319 | 14 | Grooved End | Flange |
| 3" | SGVF300L | 30 | 160 | 227 | 19 | Grooved End | Flange |
| | SGVF300H | 80 | 400 | 578 | 17 | Grooved End | Flange |
| 4" | SGVF400L | 80 | 430 | 611 | 27 | Grooved End | Flange |
| | SGVF400H | 130 | 720 | 1029 | 23 | Grooved End | Flange |
| 5" | SGVF500 | 160 | 880 | 1267 | 34 | Grooved End | Flange |
| 6" | SGVF600 | 200 | 1100 | 1551 | 45 | Grooved End | Flange |
| 8" | SGVF800 | 520 | 2000 | 2824 | 75 | Grooved End | Flange |
| 10" | SGVF1000 | 580 | 2950 | 4164 | 141 | Grooved End | Flange |
| 12" | SGVF1200 | 1250 | 6700 | 9670 | 220 | Grooved End | Flange |
| STANDARD MATERIAL SPECIFICATIONS | | | | CALCULATIONS | | | |
| Venturi Flange PT | Steel Casting, Carbon ASTM A216 Grade WCB Forged Carbon Steel ASTM A105 Brass ASTM B455-05, EPDM Dual Durometer Core | | | $D.P. = (GPM * 17.3 / FF)^2$ $GPM = \sqrt{D.P.} * FF / 17.3$ | | | |

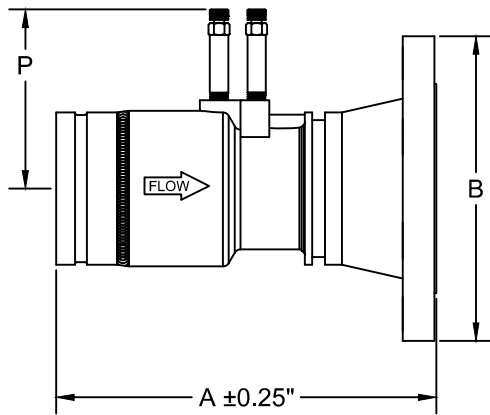
Specification information is provided to assist and is given without obligation or warranty. The Company reserves the right to make changes in design, materials, and/or specifications without notice or liability.

PRODUCT SPECIFICATIONS:

- Raised face flange aids in tight coupling with gasket to provide maximum resistance to leakage
- Maximum pressure loss 6% of differential pressure
- The carbon steel Venturi accuracy rating: ±1% Between 10" w.c. and 70" w.c. based on Coefficient of Discharge
±3% Between 5" w.c. and 150" w.c.



SGVF Series Dimensions
Steel Groove Venturi with Flange



| SIZE | A | B | P |
|-----------|------|------|------|
| 2½" L & H | 10.1 | 7.0 | 5.3 |
| 3" L & H | 10.4 | 7.5 | 5.5 |
| 4" L & H | 11.4 | 9.0 | 6.0 |
| 5" | 11.9 | 10.0 | 6.6 |
| 6" | 13.4 | 11.0 | 7.2 |
| 8" | 15.8 | 13.5 | 8.4 |
| 10" | 20.5 | 16.0 | 8.5 |
| 12" | 27.0 | 19.0 | 12.4 |

Note: All dimensions and materials are subject to minor variations. Consult with factory for confirmation of dimensions and material specifications at the time of order.