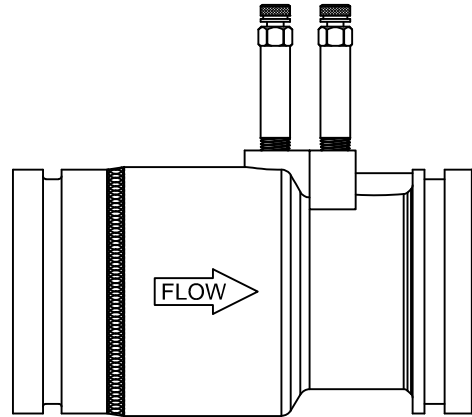




SGV Series Specifications Steel Grooved End Venturi



PRODUCT DESCRIPTION: The SGV is a steel Venturi with grooved ends that is designed for highly accurate flow measurement with low pressure loss. High and low flow ranges are available in the 2½", 3", and 4" sizes. The SGV comes standard with two pressure/temperature ports.

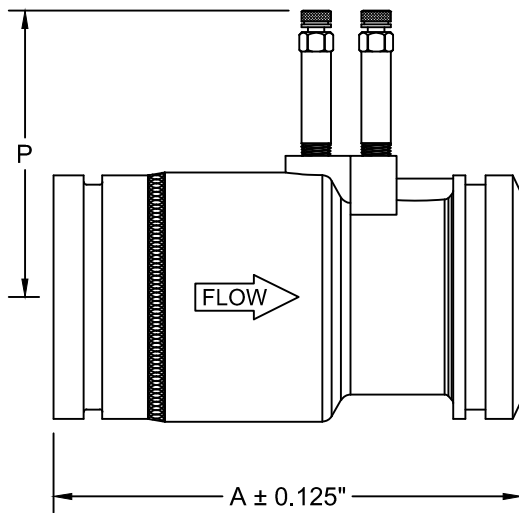
| Nominal Line Size | Model # | Weight (lbs) | Lower Flow Range (GPM) | Upper Flow Range (GPM) | Flow Factor (FF) | Connection |
|--|---------|--------------|------------------------|---|------------------|------------|
| 2½" | SGV250L | 5 | 30 | 100 | 47 | Grooved |
| | SGV250H | 5 | 40 | 220 | 319 | |
| 3" | SGV300L | 9 | 30 | 160 | 227 | Grooved |
| | SGV300H | 7 | 80 | 400 | 578 | |
| 4" | SGV400L | 13 | 80 | 430 | 611 | Grooved |
| | SGV400H | 9 | 130 | 720 | 1029 | |
| 5" | SGV500 | 17 | 160 | 880 | 1267 | Grooved |
| 6" | SGV600 | 23 | 200 | 1100 | 1551 | Grooved |
| 8" | SGV800 | 40 | 520 | 2000 | 2824 | Grooved |
| 10" | SGV1000 | 98 | 580 | 2950 | 4164 | Grooved |
| 12" | SGV1200 | 155 | 1250 | 6700 | 9670 | Grooved |
| STANDARD MATERIAL Venturi - Steel Casting, Carbon ASTM A216 Grade WCB Grooved End Adapter - ASTM Schedule 40 PT - ASTM B455-05, EPDM Dual Durometer Core | | | | CALCULATIONS: $D.P. = (GPM * 17.3 / FF)^2$ $GPM = \sqrt{D.P.} * FF / 17.3$ | | |
| Specification information is provided to assist and is given without obligation or warranty. The Company reserves the right to make changes in design, materials, and/or specifications without notice or liability. | | | | | | |

PRODUCT SPECIFICATIONS:

- Maximum pressure loss 6% of differential pressure
- The carbon steel Venturi accuracy rating: ±1% Between 10" w.c. and 70" w.c. based on Coefficient of Discharge
±3% Between 5" w.c. and 150" w.c.



SGV Series Dimensions
Steel Grooved End Venturi



| SIZE | A | P |
|-----------|------|------|
| 2½" L & H | 7.3 | 7.0 |
| 3" L & H | 7.6 | 7.5 |
| 4" L & H | 8.4 | 9.0 |
| 5" | 8.4 | 10.0 |
| 6" | 10.0 | 11.0 |
| 8" | 11.8 | 13.5 |
| 10" | 16.4 | 16.0 |
| 12" | 22.4 | 19.0 |

Note: All dimensions and materials are subject to minor variations. Consult with factory for confirmation of dimensions and material specifications at the time of order.