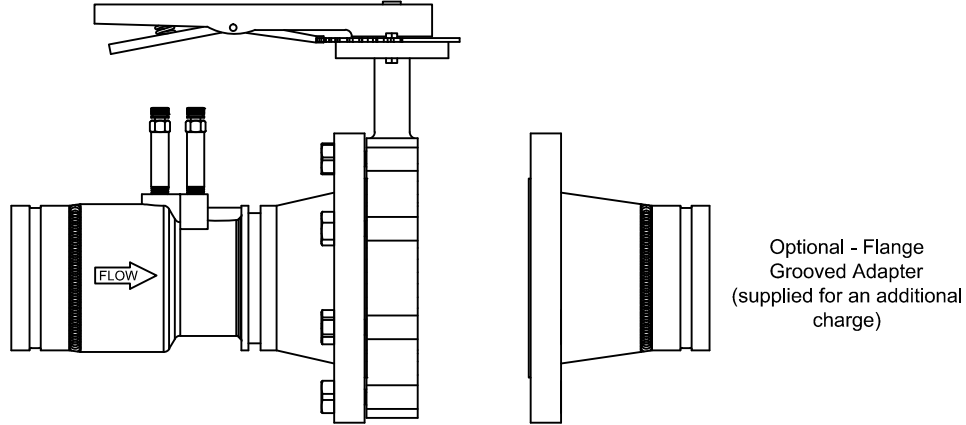


PRO *Hydronic* Specialties

CBVG Series Specifications

Combination Butterfly/Venturi with Groove



PRODUCT DESCRIPTION: The CBVG is a combination butterfly valve and grooved end style venturi. The grooved end carbon steel venturi connects to a standard ANSI Class 150 pound flange, and is combined with a lug type butterfly valve for throttling. The cast iron butterfly valve has a combination infinite/10 position memory stop plate, a one piece disc/shaft, a triple shaft bearing, an aluminum-bronze disc for sizes 2½" - 8", a nickel plated disc for the 10" and 12" sizes, and an EPDM standard liner. The CBVG comes standard with two pressure/temperature ports.

Nominal Line Size	Model No.	Lower Flow Range (GPM)	Upper Flow Range (GPM)	Flow Factor (FF)	Weight (Lbs)	STANDARD MATERIAL SPECIFICATIONS	
						Venturi	Butterfly Valve
2½"	CBVG250L	30	100	147	26	Steel Casting, Carbon ASTM A216 Grade WCB	Grooved Adapter
	CBVG250H	40	220	319	26	ASTM Schedule 40	Flange
3"	CBVG300L	30	160	227	33	Forged Carbon Steel ASTM A105	Butterfly Valve
	CBVG300H	80	400	578	31	Nodular Cast Iron ASTM A536 60-4-18	Seat
4"	CBVG400L	80	430	611	46	EPDM Rubber	Disc (2½ - 8")
	CBVG400H	130	720	1029	41	Aluminum-Bronze Sand Casting, ASTM B148 C95800	Disc (10 & 12")
5"	CBVG500	160	880	1267	59	Nickel Plated Aluminum-Bronze Sand Casting, ASTM B148 C95800	Shaft
6"	CBVG600	200	1100	1551	78	Stainless Steel AISI 410	O-Ring
8"	CBVG800	520	2000	2824	137	EPDM Rubber	Bearing
10"	CBVG1000	580	2950	4164	236	Copper ASTM B45	Bearing Bush
12"	CBVG1200	1250	6700	9670	351	PTFE	Hand Lever
CONNECTIONS: Inlet - Grooved End Outlet - Lug Butterfly Valve						CALCULATIONS: $D.P. = (GPM * 17.3 / FF)^2$ $GPM = \sqrt{D.P. * FF} / 17.3$	
						PT PT Core	

Specification information is provided to assist and is given without obligation or warranty. The Company reserves the right to make changes in design, materials, and/or specifications without notice or liability.

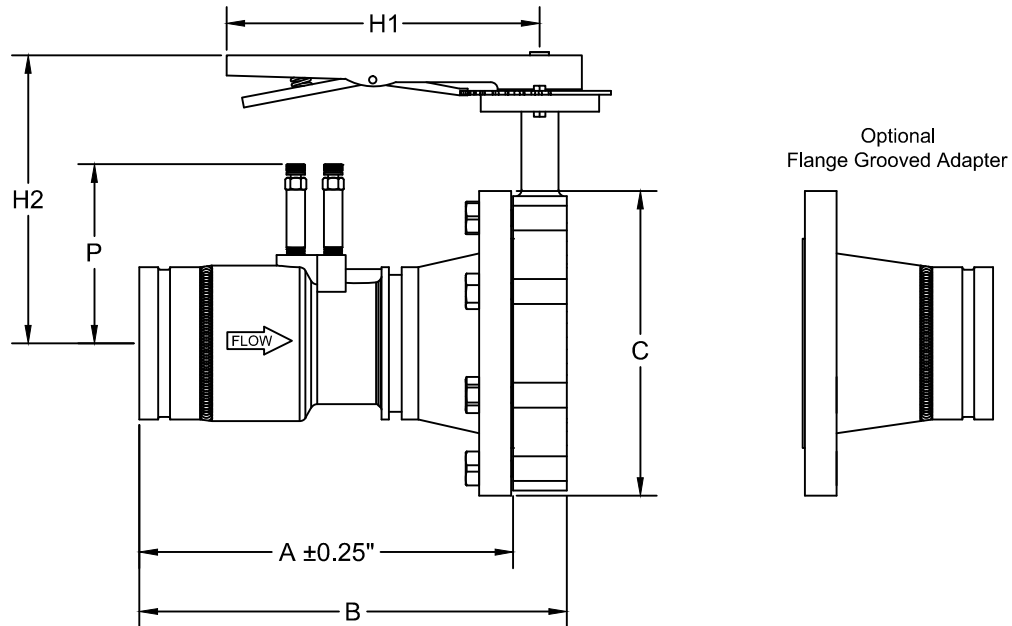
PRODUCT SPECIFICATIONS:

- Butterfly valve is rated at 200 PSIG and is suitable for dead-end service
- Maximum pressure loss 6% of differential pressure
- The carbon steel Venturi accuracy rating: ±1% Between 10" w.c. and 70" w.c. based on Coefficient of Discharge
±3% Between 5" w.c. and 150" w.c.

PRO *Hydronic* Specialties

CBVG Series Dimensions

Combination Butterfly/Venturi with Groove



SIZE	A	B	C	H1	H2	P	With Optional Flange Grooved Adapter		
							Model	Length	Weight
2½" L & H	10.1	11.9	7.0	10.5	8.1	5.3	FGA250	+ 4.9	+ 13
3" L & H	10.4	12.2	7.5	10.5	8.2	5.5	FGA300	+ 4.9	+ 16
4" L & H	11.4	13.4	9.0	10.5	9.0	6.0	FGA400	+ 5.1	+ 18
5"	11.9	14.0	10.0	10.5	9.4	6.6	FGA500	+ 5.6	+ 24
6"	13.4	15.6	11.0	10.5	10.2	7.2	FGA600	+ 5.8	+ 28
8"	15.8	18.2	13.5	*	*	8.4	FGA800	+ 7.3	+ 48
10"	20.5	23.1	16.0	*	*	8.5	FGA1000	+ 9.4	+ 72
12"	27.0	30.0	19.0	*	*	12.4	FGA1200	+ 9.9	+ 115

* Denotes a gear operated valve.

Note: All dimensions and materials are subject to minor variations. Consult with factory for confirmation of dimensions and material specifications at the time of order.