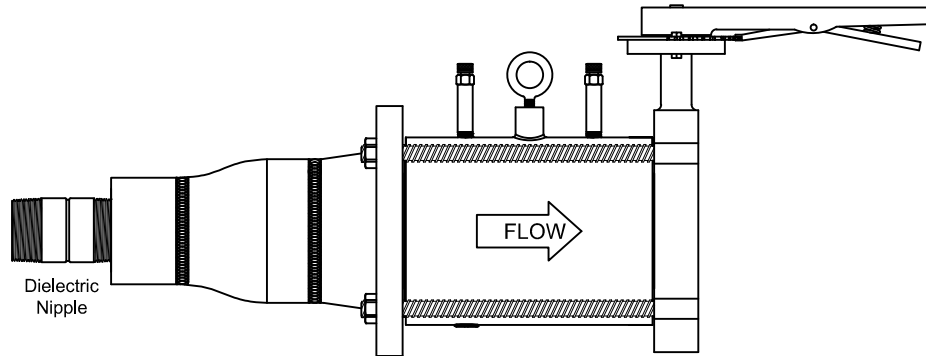




## AFLWT Series Specifications

### Automatic Pressure Independent Flow Limiter Wafer w/ Threaded Flange



**U.S. Patent No. 8,061,195**

**PRODUCT DESCRIPTION:** The AFLWT is a combination butterfly valve, wafer style automatic flow limiting device, and an ANSI Class 150# threaded flange. The AFLWT is designed to connect directly to a threaded brass ATC (Automatic Temperature Control) valve. The AFLWT provides the dielectric protection needed for steel pipe. The full flange face wafer contains one or more stainless steel flow limiting cartridges that are preset at the factory for a specific flow. The cartridges can be removed for cleaning, and if necessary, cartridge exchange.

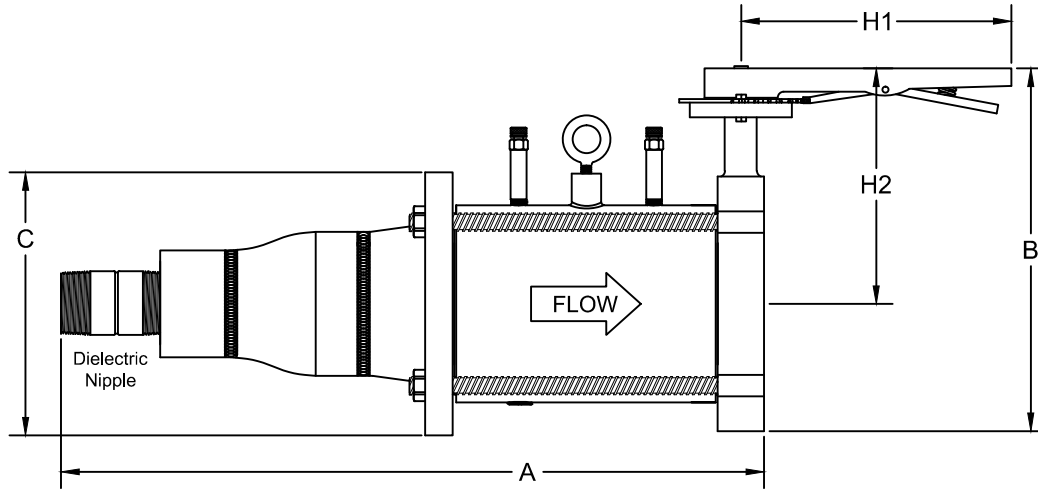
STANDARD MATERIAL SPECIFICATIONS		
Wafer		ASTM A536 Ductile Iron
O-Ring		EPDM
Flow Cartridge		ASTM A582 Type 303 Stainless Steel
Diaphragm		EPDM
Spring		Stainless Steel
PT Port		EPDM Dual Durometer Core
Lifting Lug		ASTM F541 Steel
Flange		Forged Carbon Steel ASTM A105
Bolts		ASTM A193 Steel
Dielectric Nipple		Galvanized Steel
Butterfly Valve	Body	Nodular Cast Iron ASTM A536 60-4-18
	Seat	EPDM Rubber
	Disc (2½" - 6")	Aluminum-Bronze Sand Casting, ASTM B148 C95800
	Shaft	Stainless Steel AISI 410
	O-Ring	EPDM Rubber
	Bearing	Copper ASTM B45
	Bearing Bush	PTFE
	Hand Lever	Nodular Cast Iron ASTM A536 60-4-18
* Butterfly valve is rated at 200 PSIG and is suitable for dead-end service		
PRODUCT SPECIFICATIONS		
Cartridge Control range:		2 psi - 60+ psi
Accuracy:		±5%
Start-Up Head Loss:		5 Feet of H <sub>2</sub> O
Specification information is provided to assist and is given without obligation or warranty. The Company reserves the right to make changes in design, materials, and/or specifications without notice or liability.		

**NOTE:** The specific ASTM standard may vary and should be confirmed at time of order.



### AFLWT Series Dimensions

## Automatic Pressure Independent Flow Limiter Wafer w/ Threaded Flange



**U.S. Patent No. 8,061,195**

SIZE	MODEL	INLET	A	B	C	H1	H2	WEIGHT	# OF AFL CARTRIDGES	MAX GPM FLOW
2½"	AFLW250T100	1"	17.5	10.4	7.0	10.5	8.1	33	1	180
	AFLW250T125	1¼"	17.6	10.4	7.0	10.5	8.1	33	1	180
	AFLW250T150	1½"	17.8	10.4	7.0	10.5	8.1	33	1	180
	AFLW250T200	2"	17.9	10.4	7.0	10.5	8.1	33	1	180
3"	AFLW300T125	1¼"	17.6	10.9	7.5	10.5	8.2	37	1	180
	AFLW300T150	1½"	17.8	10.9	7.5	10.5	8.2	37	1	180
	AFLW300T200	2"	17.9	10.9	7.5	10.5	8.2	37	1	180
4"	AFLW400T150	1½"	18.9	12.4	9.0	10.5	9.0	56	2	360
	AFLW400T200	2"	19.0	12.4	9.0	10.5	9.0	56	2	360

*Note: All dimensions are in inches and all weights are in pounds. All dimensions, weights, and materials are subject to minor variations. Consult with factory for confirmation of dimensions, weights, and material specifications at the time of order.*