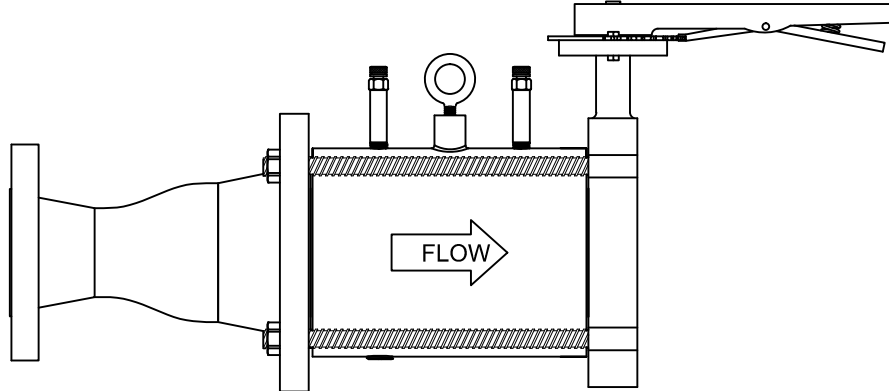




## AFLWR Series Specifications

### Automatic Pressure Independent Flow Limiter Wafer w/ Reducing Flange



U.S. Patent No. 8,061,195

**PRODUCT DESCRIPTION:** The AFLWR is a combination butterfly valve, wafer style automatic flow limiting device, and an ANSI Class 150# reducing flange. The AFLWR is designed to connect directly to a smaller size flanged ATC (Automatic Temperature Control) valve. The full flange face wafer contains one or more stainless steel flow limiting cartridges that are preset at the factory for a specific flow. The cartridges can be removed for cleaning, and if necessary, cartridge exchange.

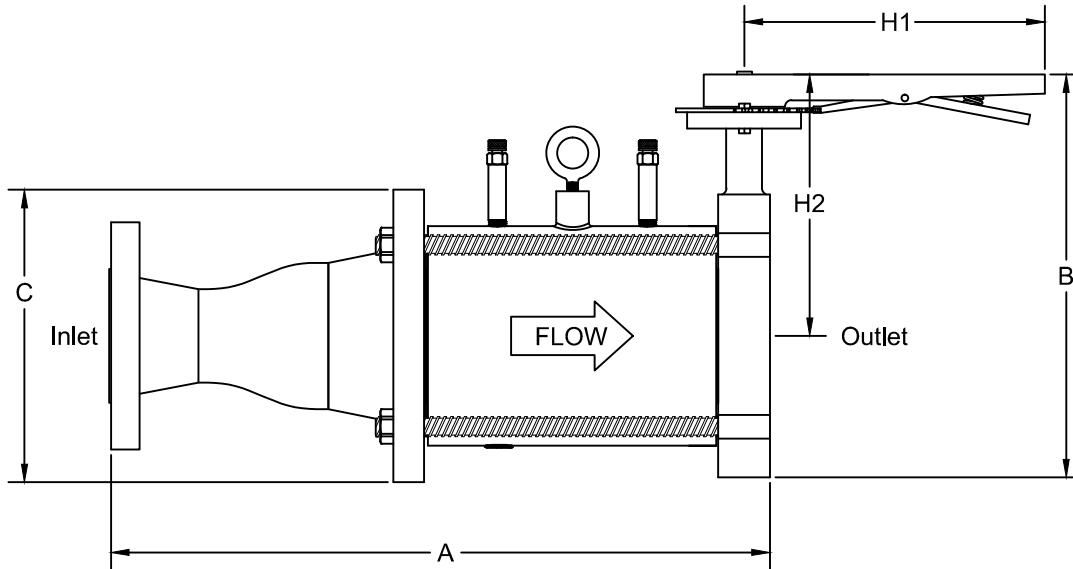
STANDARD MATERIAL SPECIFICATIONS		
Wafer	ASTM A536 Ductile Iron	
O-Ring	EPDM	
Flow Cartridge	ASTM A582 Type 303 Stainless Steel	
Diaphragm	EPDM	
Spring	Stainless Steel	
PT Port	EPDM Dual Durometer Core	
Lifting Lug	ASTM F541 Steel	
Flange	Forged Carbon Steel ASTM A105	
Bolts	ASTM A193 Steel	
Butterfly Valve	Body	Nodular Cast Iron ASTM A536 60-4-18
	Seat	EPDM Rubber
	Disc (2½" - 8")	Aluminum-Bronze Sand Casting, ASTM B148 C95800
	Shaft	Stainless Steel AISI 410
	O-Ring	EPDM Rubber
	Bearing	Copper ASTM B45
	Bearing Bush	PTFE
Hand Lever	Nodular Cast Iron ASTM A536 60-4-18	
* Butterfly valve is rated at 200 PSIG and is suitable for dead-end service		
PRODUCT SPECIFICATIONS		
Cartridge Control range:	2 psi - 60+ psi	
Accuracy:	±5%	
Start-Up Head Loss:	5 Feet of H <sub>2</sub> O	
Specification information is provided to assist and is given without obligation or warranty. The Company reserves the right to make changes in design, materials, and/or specifications without notice or liability.		

*NOTE: The specific ASTM standard may vary and should be confirmed at time of order.*



## AFLWR Series Dimensions

### Automatic Pressure Independent Flow Limiter Wafer w/ Reducing Flange



**U.S. Patent No. 8,061,195**

SIZE	MODEL	INLET	OUTLET	A	B	C	H1	H2	WEIGHT	# OF AFL CARTRIDGES	MAX GPM FLOW
3"	AFLW3R250	2½"	3"	18.9	10.4	7.5	10.5	8.1	55	1	180
4"	AFLW4R250	2½"	4"	20.8	10.4	9.0	10.5	8.1	72	2	360
	AFLW4R300	3"	4"	20.8	10.4	9.0	10.5	8.1	75	2	360
6"	AFLW6R250	2½"	6"	23.0	10.4	11.0	10.5	8.1	108	4	720
	AFLW6R300	3"	6"	23.0	10.9	11.0	10.5	8.2	111	4	720
	AFLW6R400	4"	6"	23.1	10.9	11.0	10.5	8.2	114	4	720
8"	AFLW8R600	6"	8"	26.0	17.1	13.5	*	8.1	165	17	1260

Note: \* Denotes a gear operated valve.

Note: All dimensions are in inches and all weights are in pounds. All dimensions, weights, and materials are subject to minor variations. Consult with factory for confirmation of dimensions and material specifications at the time of order.