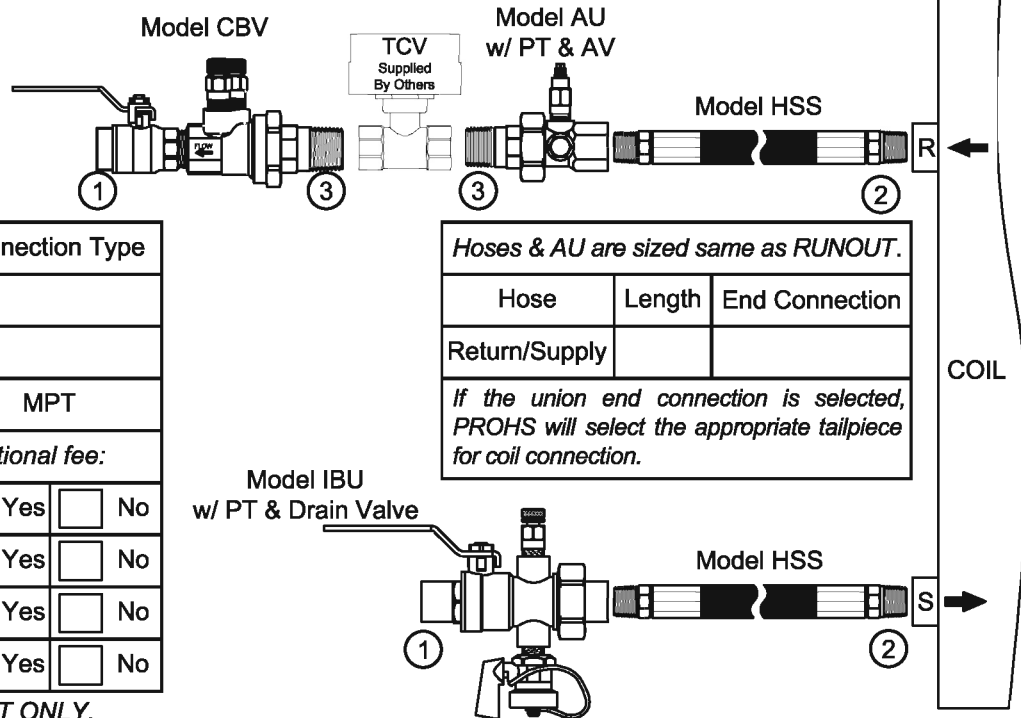


PRO Hydronic Specialties

Manual Balancing 2-Way Kit - V2BH Submittal



| | # | Size | Connection Type |
|--|--------------------------|------|--------------------------|
| Runout | 1 | | |
| Coil | 2 | | |
| TCV | 3 | | MPT |
| <i>Services provided for additional fee:</i> | | | |
| Extended Components | <input type="checkbox"/> | Yes | <input type="checkbox"/> |
| Factory Mounted TCV | <input type="checkbox"/> | Yes | <input type="checkbox"/> |
| Factory Connect Hoses | <input type="checkbox"/> | Yes | <input type="checkbox"/> |
| Bag N Tag | <input type="checkbox"/> | Yes | <input type="checkbox"/> |

| <i>Hoses & AU are sized same as RUNOUT.</i> | | |
|--|--------|----------------|
| Hose | Length | End Connection |
| Return/Supply | | |
| <i>If the union end connection is selected, PROHS will select the appropriate tailpiece for coil connection.</i> | | |

* 3/8" Coil Size available in SWT ONLY.

** ProPress fittings supplied for additional fee.

By default, if Factory Connect Hoses is checked "YES", an integral Fixed Tailpiece connection will be used to connect to component when applicable.

PRODUCT DESCRIPTION: The V2BH Manual Balancing 2-way Valve Kit is a packaged and partially preassembled grouping of components required to complete installation of a terminal unit. Temperature control valves, piping, and coils are supplied "by others". Mounting and testing of the customer provided TCV is available at an additional charge.

| QUANTITY | GPM | TAGGING INFORMATION |
|----------|-----|---------------------|
| | | |
| | | |
| | | |
| | | |
| | | |
| | | |
| | | |
| | | |
| | | |
| | | |

| | | |
|-------------|-----------------|-------|
| JOB NAME: | REPRESENTATIVE: | |
| ENGINEER: | REF/PO#: | DATE: |
| CONTRACTOR: | SUBMITTED BY: | DATE: |