

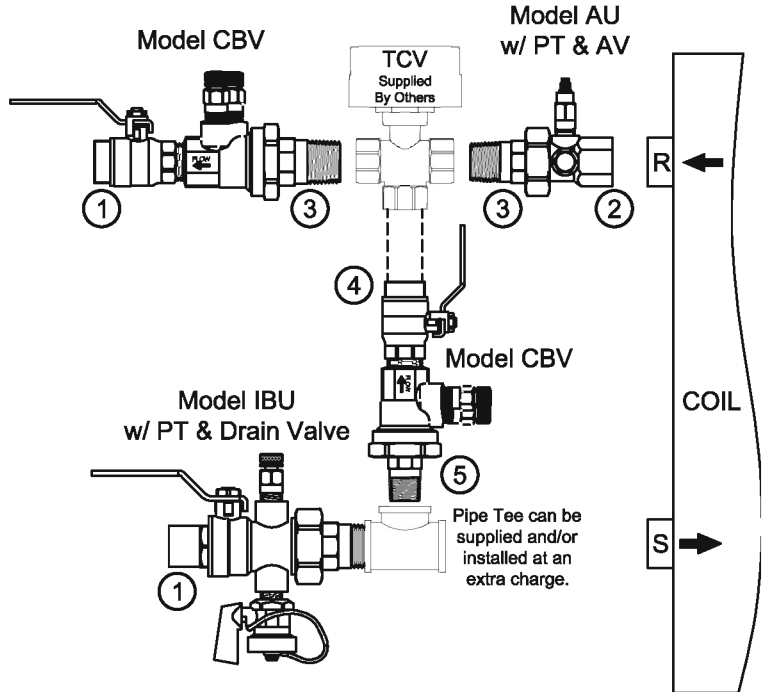


## Manual Balancing 3-Way Kit - V3BV Submittal

	#	Size	Connection Type
Runout	1		
Coil	2		
TCV	3		MPT
Bypass Out	4		
Bypass In	5		
<i>Services provided for additional fee:</i>			
Extended Components	<input type="checkbox"/> Yes	<input type="checkbox"/> No	
Factory Mounted TCV	<input type="checkbox"/> Yes	<input type="checkbox"/> No	
Bag N Tag	<input type="checkbox"/> Yes	<input type="checkbox"/> No	

\* 3/8" Coil Size available in SWT ONLY.

\*\* ProPress fittings supplied for additional fee.



**PRODUCT DESCRIPTION:** The V3BV Manual Balancing 3-way Valve Kit is a packaged and partially preassembled grouping of components required to complete installation of a terminal unit. Temperature control valves, piping, and coils are supplied "by others". Mounting and testing of the customer supplied TCV is available at an additional charge.

QUANTITY	GPM	TAGGING INFORMATION

<b>JOB NAME:</b>	<b>REPRESENTATIVE:</b>	
<b>ENGINEER:</b>	<b>REF/PO#:</b>	<b>DATE:</b>
<b>CONTRACTOR:</b>	<b>SUBMITTED BY:</b>	<b>DATE:</b>