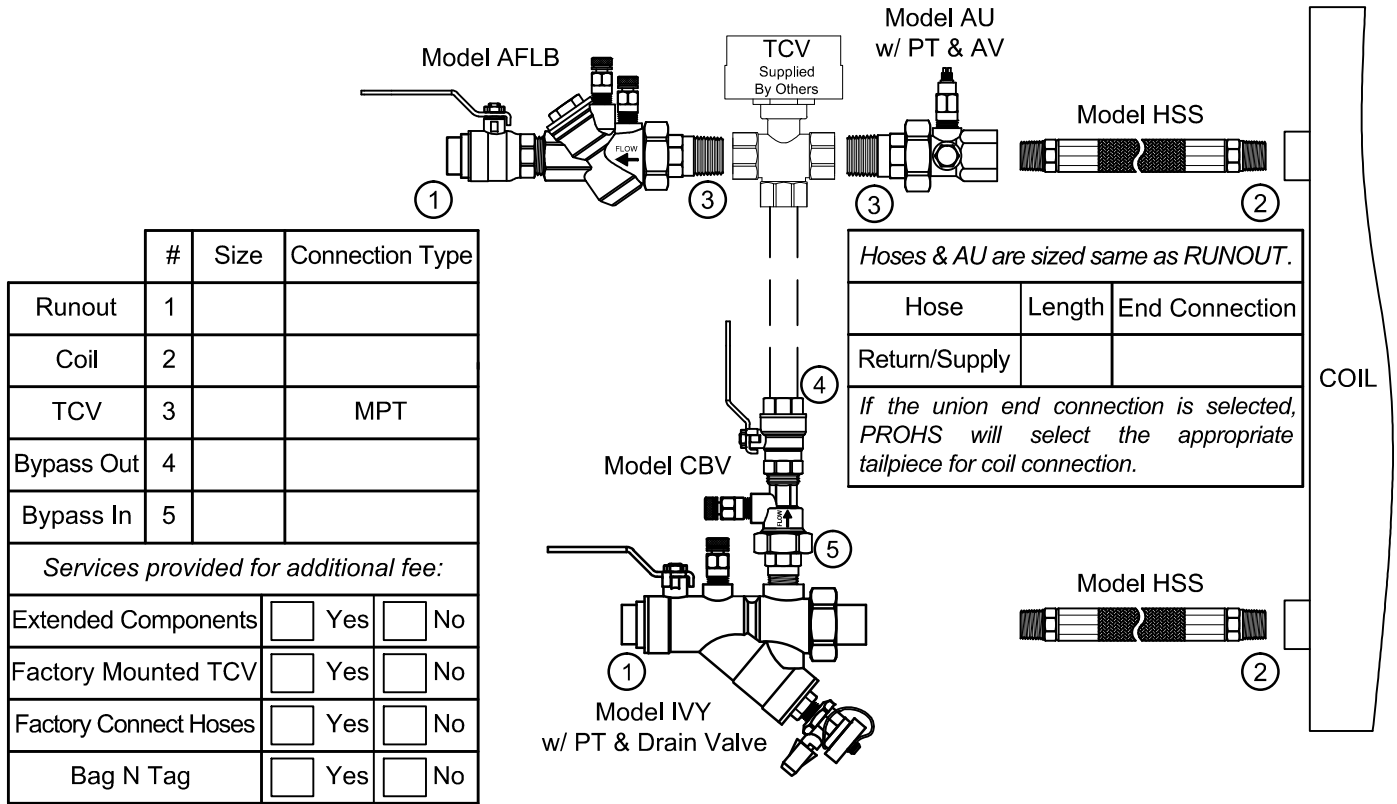


Automatic Balancing 3-Way Kit - A3IVH Submittal



* 3/8" Coil Size available in SWT ONLY.

** ProPress fittings supplied for additional fee.

By default, if Factory Connect Hoses is checked "YES", an integral Fixed Tailpiece connection will be used to connect to component when applicable.

PRODUCT DESCRIPTION: The A3IVH Automatic Balancing 3-way Valve Kit is a packaged and partially preassembled grouping of components required to complete installation of a terminal unit. Temperature control valves, piping, and coils are supplied "by others". Mounting and testing of the customer supplied TCV is available at an additional charge.

QUANTITY	GPM	TAGGING INFORMATION

JOB NAME:	REPRESENTATIVE:	
ENGINEER:	REF/PO#:	DATE:
CONTRACTOR:	SUBMITTED BY:	DATE: