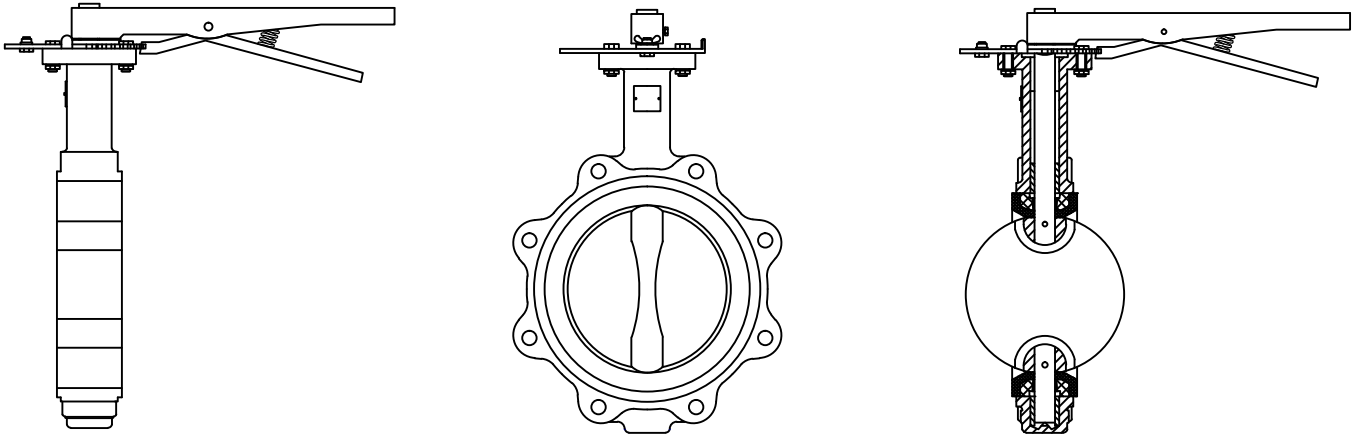




BFV Series Specifications Butterfly Valve

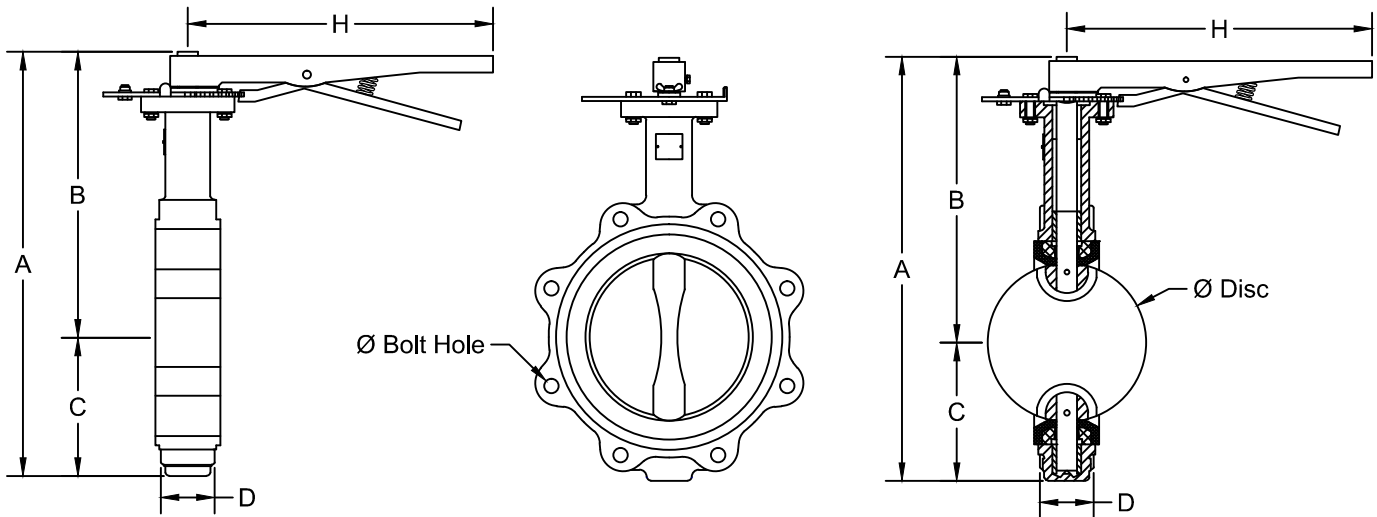


PRODUCT DESCRIPTION: The BFV is a lug type butterfly valve used for throttling. The cast iron butterfly valve is designed to be installed between standard ANSI Class 150 pound flanges. The BFV has a combination infinite/10 position memory stop plate, a one piece disc/shaft, a triple shaft bearing, an aluminum-bronze disc for sizes 2½" - 8", a nickel plated disc for the 10" and 12" sizes, and an EPDM liner. Cap set screws are available upon request for an additional charge. This Butterfly Valve meets SP-67 Specifications, Type 2.

STANDARD MATERIAL SPECIFICATIONS	
Body	Nodular Cast Iron ASTM A536 60-4-18
Seat	EPDM Rubber
Disc (2½" - 8")	Aluminum-Bronze Sand Casting, ASTM B148 C95400
Disc (10" & 12")	Nickel Plated Aluminum-Bronze Sand Casting, ASTM B148 C95800
Shaft	Stainless Steel AISI 410
O-Ring	EPDM Rubber
Bearing	Copper ASTM B45
Bearing Bush	PTFE
Hand Lever	Nodular Cast Iron ASTM A536 60-4-18
PRODUCT SPECIFICATIONS	
Ratings	Seat: -22°F to 250°F Pressure: Full - 232 PSI Dead End - 200 PSI
Meets SP-67 Specifications, Type 1	
Specification information is provided to assist and is given without obligation or warranty. The Company reserves the right to make changes in design, materials, and/or specifications without notice or liability.	



BFV Series Dimensions Butterfly Valve



Model	Size		A	B	C	D	H	Ø Disc	Ø Bolt Hole	# of Bolts	Weight	
	Nominal	Metric									Lbs	Kgs
BFV250	2½"	DN65	10.4	6.9	3.5	1.8	10.5	2.5	5/8"	4	11	5.0
BFV300	3"	DN80	10.9	7.1	3.8	1.8	10.5	3.1	5/8"	4	12	5.4
BFV400	4"	DN100	12.4	7.9	4.5	2.0	10.5	4.0	5/8"	8	17	7.7
BFV500	5"	DN125	13.4	8.4	5.0	2.1	10.5	4.8	3/4"	8	22	10.0
BFV600	6"	DN150	14.4	8.9	5.5	2.2	10.5	6.1	3/4"	8	30	13.6
BFV800	8"	DN200	17.1	10.2	6.9	2.4	*	8.0	3/4"	8	54	24.5
BFV1000	10"	DN250	19.5	11.5	8.0	2.6	*	9.8	7/8"	12	84	38.1
BFV1200	12"	DN300	22.8	13.3	9.5	3.0	*	12.2	7/8"	12	116	52.6

* Denotes a gear operated valve.

Note: All dimensions, weights, and materials are subject to minor variations. Consult with factory for confirmation of dimensions, weights, and material specifications at the time of order.