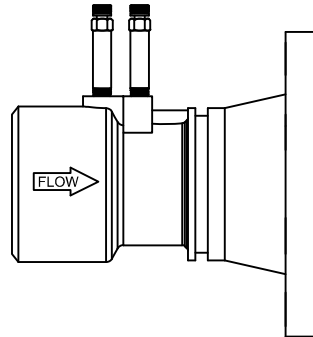




## SWVF Series Specifications

### Steel Weld End Venturi with Flange



**PRODUCT DESCRIPTION:** The SWVF is a weld end by flange end style steel venturi. The carbon steel venturi connects to a standard ANSI Class 150 pound flange. The venturi is designed for highly accurate flow measurement with low pressure loss. High and low flow ranges are available in the 2½", 3", and 4" sizes. The SWVF comes standard with two pressure/temperature ports.

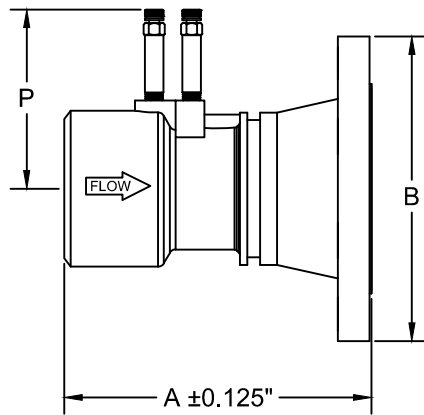
| Nominal Line Size  | Model #  | Lower Flow Range (GPM) | Upper Flow Range (GPM) | Flow Factor (FF)   | Weight | Inlet    | Outlet |
|--|--|------------------------|------------------------|--|--------|----------|--------|
| 2½"  | SWVF250L   | 30                     | 100                    | 147  | 14     | Weld End | Flange |
|  | SWVF250H   | 40                     | 220                    | 319  | 14     | Weld End | Flange |
| 3"   | SWVF300L   | 30                     | 160                    | 227  | 19     | Weld End | Flange |
|  | SWVF300H   | 80                     | 400                    | 578  | 17     | Weld End | Flange |
| 4"   | SWVF400L   | 80                     | 430                    | 611  | 27     | Weld End | Flange |
|  | SWVF400H   | 130                    | 720                    | 1029   | 23     | Weld End | Flange |
| 5"   | SWVF500  | 160                    | 880                    | 1267   | 34     | Weld End | Flange |
| 6"   | SWVF600  | 200                    | 1100                   | 1551   | 45     | Weld End | Flange |
| 8"   | SWVF800  | 520                    | 2000                   | 2824   | 75     | Weld End | Flange |
| 10"  | SWVF1000   | 580                    | 2950                   | 4164   | 141    | Weld End | Flange |
| 12"  | SWVF1200   | 1250                   | 6700                   | 9670   | 220    | Weld End | Flange |
| STANDARD MATERIAL SPECIFICATIONS   |  |                        |                        | CALCULATIONS   |        |          |        |
| Venturi<br>Flange<br>PT  | Steel Casting, Carbon ASTM A216 Grade WCB<br>Forged Carbon Steel ASTM A105<br>Brass ASTM B455-05, EPDM Dual Durometer Core |                        |                        | $D.P. = (GPM * 17.3 / FF)^2$ $GPM = \sqrt{D.P.} * FF / 17.3$ |        |          |        |
| Specification information is provided to assist and is given without obligation or warranty. The Company reserves the right to make changes in design, materials, and/or specifications without notice or liability. |  |                        |                        |  |        |          |        |

**PRODUCT SPECIFICATIONS:**

- Raised-face flange aids in tight coupling with gaskets to provide maximum resistance to leakage
- Maximum pressure loss 6% of differential pressure
- The carbon steel Venturi accuracy rating: ±1% Between 10" w.c. and 70" w.c. based on Coefficient of Discharge  
±3% Between 5" w.c. and 150" w.c.



SWVF Series Dimensions  
Steel Weld End Venturi with Flange



| SIZE      | A    | B    | P    |
|-----------|------|------|------|
| 2½" L & H | 8.0  | 7.0  | 5.3  |
| 3" L & H  | 8.3  | 7.5  | 5.5  |
| 4" L & H  | 9.3  | 9.0  | 6.0  |
| 5"        | 9.8  | 10.0 | 6.6  |
| 6"        | 11.3 | 11.0 | 7.2  |
| 8"        | 12.7 | 13.5 | 8.4  |
| 10"       | 16.4 | 16.0 | 8.5  |
| 12"       | 21.6 | 19.0 | 12.4 |

*Note: All dimensions, weights, and materials are subject to minor variations. Consult with factory for confirmation of dimensions, weights, and material specifications at the time of order.*