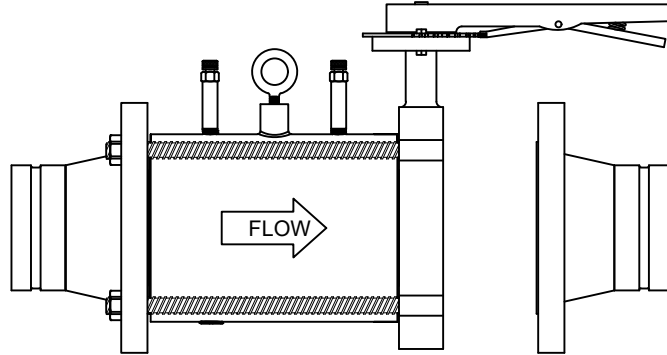




AFLWG Series Specifications

Automatic Pressure Independent Flow Limiter Wafer w/ Groove End



Optional Flange Grooved Adapter
(supplied for an additional charge)
See pages SUBAS1 & 2 under the STEEL
ACCESSORIES tab for details.

U.S. Patent No. 8,061,195

PRODUCT DESCRIPTION: The AFLWG is a combination butterfly valve, wafer style automatic flow limiting device, and an ANSI Class 150# grooved end flange. The full flange face wafer contains one or more stainless steel flow limiting cartridges that are preset at the factory for a specific flow. The cartridges can be removed for cleaning, and if necessary, cartridge exchange. The cast iron butterfly valve has a combination infinite/10 position memory stop plate, a one piece disc/shaft, a triple shaft bearing, an aluminum-bronze disc for sizes 2½" - 8", and an EPDM liner. The AFLWG may be supplied with an additional flange grooved adapter for an additional charge.

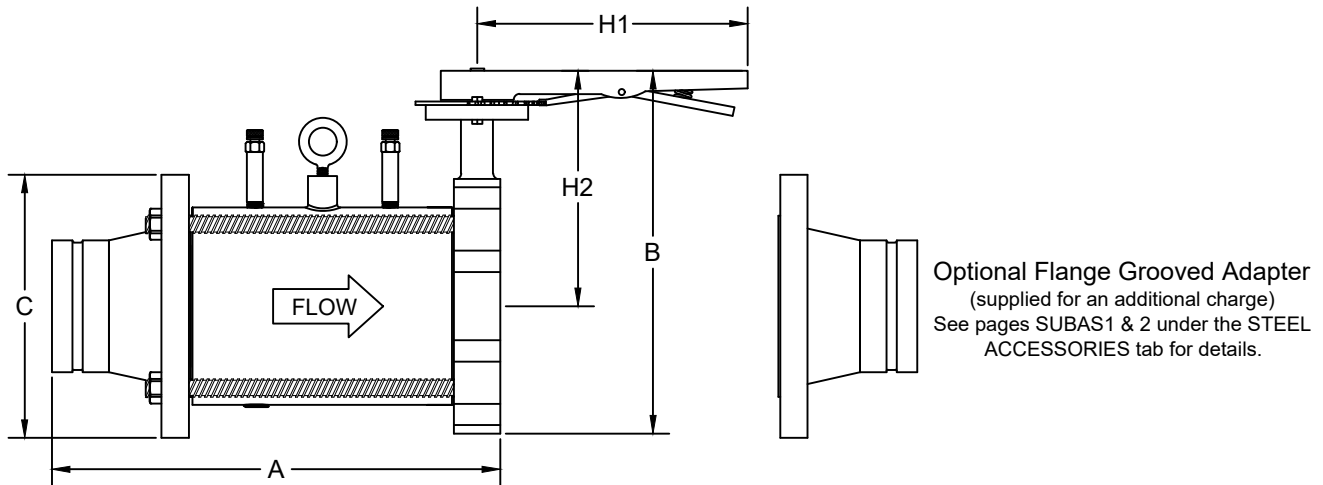
STANDARD MATERIAL SPECIFICATIONS	
Wafer	ASTM A536 Ductile Iron
O-Ring	EPDM
Flow Cartridge	ASTM A582 Type 303 Stainless Steel
Diaphragm	EPDM
Spring	Stainless Steel
PT Port	EPDM Dual Durometer Core
Lifting Lug	ASTM F541 Steel
Flange	Forged Carbon Steel ASTM A105
Bolts	ASTM A193 Steel
Butterfly Valve *	Body: Nodular Cast Iron ASTM A536 60-4-18 Seat: EPDM Rubber Disc (2½" - 8"): Aluminum-Bronze Sand Casting, ASTM B148 C95400 Shaft: Stainless Steel AISI 410 O-Ring: EPDM Rubber Bearing: Copper ASTM B45 Bearing Bush: PTFE Hand Lever: Nodular Cast Iron ASTM A536 60-4-18
* Butterfly valve is rated at 200 PSIG and is suitable for dead-end service	
PRODUCT SPECIFICATIONS	
Cartridge Control range:	2 psi - 60+ psi
Accuracy:	±5%
Start-Up Head Loss:	5 Feet of H ₂ O
Specification information is provided to assist and is given without obligation or warranty. The Company reserves the right to make changes in design, materials, and/or specifications without notice or liability.	

NOTE: The specific ASTM standard may vary and should be confirmed at time of order.



AFLWG Series Dimensions

Automatic Pressure Independent Flow Limiter Wafer w/ Groove End



U.S. Patent No. 8,061,195

SIZE	MODEL	A	B	C	H1	H2	WEIGHT	No. of AFL Cartridges	Max GPM FLOW	With Optional Flange Grooved Adapter		
										Model	Length	Weight
2½"	AFLWG250	14.6	10.4	7.0	10.5	6.9	39	1	150	FGA250	+ 4.8	+ 13
3"	AFLWG300	14.6	10.9	7.5	10.5	7.1	46	1	150	FGA300	+ 4.8	+ 16
4"	AFLWG400	16.0	12.4	9.0	10.5	7.9	66	2	300	FGA400	+ 5.0	+ 18
5"	AFLWG500	16.0	12.4	9.0	10.5	7.9	83	3	450	FGA500	+ 5.5	+ 23
6"	AFLWG600	16.7	11.0	11.0	10.5	8.9	103	4	600	FGA600	+ 5.5	+ 28
8"	AFLWG800	17.5	17.1	13.5	*	10.2	160	7	1050	FGA800	+ 6.0	+ 45
10"	AFLWG1000	22.6	19.5	13.5	*	11.5	246	12	1800	FGA1000	+8.0	+ 72

* Denotes a gear operated valve.

Note: All dimensions are in inches and all weights are in pounds. All dimensions, weights, and materials are subject to minor variations. Consult with factory for confirmation of dimensions, weights, and material specifications at the time of order.