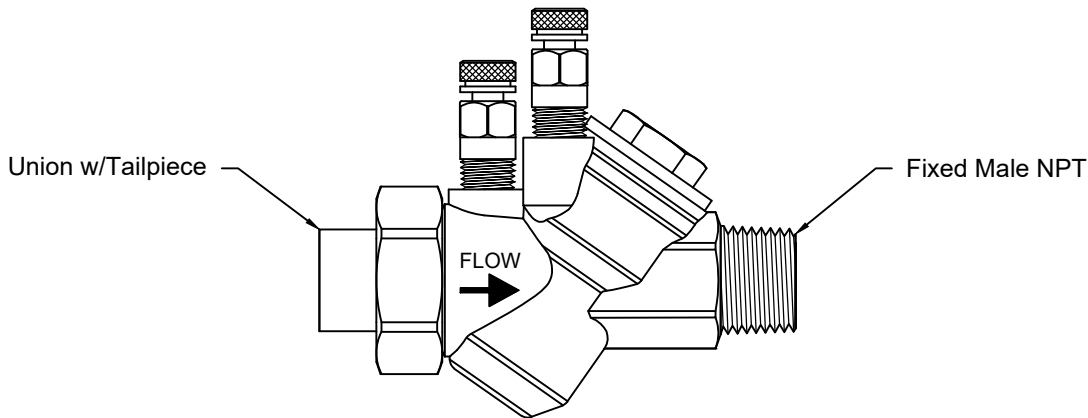




**AFLD Series Specifications**  
**Automatic Pressure Independent Flow Limiter Device**

Size A: AFLD - 1/2" - 1" Low  
 Size B: AFLD - 1" High - 1 1/2" Low  
 Size C: AFLD - 1 1/2" High - 2"



**U.S. Patent No. 8,061,195**

**PRODUCT DESCRIPTION:** The AFLD is an Automatic Pressure Independent Flow Limiting Device, male ended by union, rated at 600 WOG / CWP. The AFLD is supplied with a stainless steel flow limiting cartridge that can be removed for cartridge exchange, if necessary. The AFLD comes standard with two pressure/temperature ports, tailpiece, union nut, o-ring and hanging identification tag. Union side connections available in MNPT, FNPT, SWT, and a variety of reductions.

STANDARD MATERIAL SPECIFICATIONS		STANDARD OPERATING SPECIFICATIONS	
Body	Forged Brass ASTM B283-06 or Cast Brass ASTM B763-08A	Control range:	2 psi - 60+ psi
O-Ring	EPDM	Accuracy:	±5%
Tail Piece	Brass ASTM B124-09, B228-06, or B763-08A	Max Working Pressure:	600 WOG / CWP
Union Nut	Brass ASTM B455	Max Operating Temperature:	250°F
Flow Cartridge	ASTM A582 Type 303 Stainless Steel	Start-Up Head Loss:	5 Feet of H <sub>2</sub> O
Diaphragm	EPDM	Specification information is provided to assist and is given without obligation or warranty. The Company reserves the right to make changes in design, materials, and/or specifications without notice or liability.	
Spring	302 Stainless Steel		
PT Port	EPDM Dual Durometer Core		

Valve Size	FLOW RATES (GPM)* CONTROL RANGE 2 - 60+ PSID																									
	A	B	C	D	E	F	G	H	I	J	K	L	M	N	O	P	Q	R	S	T	U	V	W	X	Y	Z
A 1/2" - 1" L	.33	.50	.75	1	1.25	1.5	1.75	2	2.25	2.5	2.75	3	3.5	4	4.5	5	5.5	6	6.5	7	7.5	8	9	10	11	12
B 1" H - 1 1/2" L	5	5.5	6	6.5	7	8	9	10	12	13	14	15	16	18	20	22	24	26	28	30	32	--	--	--	--	--
C 1 1/2" H - 2"	15	20	25	30	35	40	45	50	55	60	65	70	75	80	85	90	95	100	110	120	130	140	150	--	--	--

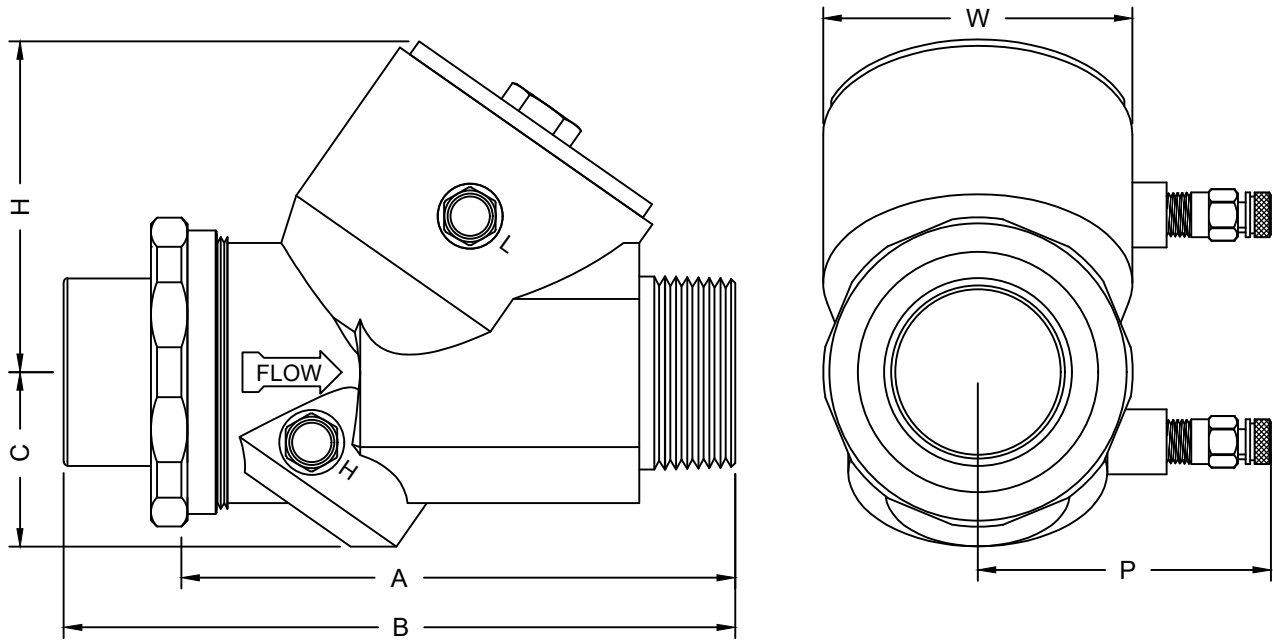
\* Custom flow rates can be calibrated at the factory for an additional charge.  
 Unless confirmed as special, flow rates will default to standard flow rate.

**PRODUCT SPECIFICATIONS:**

- The Automatic Flow Limiting Device (AFLD) shall have flow measurement capability
- The AFLD shall have a static orifice to control flow
- The AFLD Cartridge shall be permanently marked with the letter that corresponds to the factory preset GPM
- All flow cartridge wear surfaces shall be stainless steel
- The AFLD shall have a 2 PSID start up rating
- The AFLD Cartridge shall have a large operational differential range
- The AFLD Cartridge shall provide continual flow at differential pressures above design limits
- The AFLD Cartridge shall be removable for cleaning or exchange if required



**AFLD Series Dimensions**  
**Automatic Pressure Independent Flow Limiter Device**  
**Size C: AFLD - 1½" High - 2"**



SIZE	A	TAIL PIECE	B	WEIGHT (lbs)	C	H	P	W
C: 1½" High 1½" MPT x 2" Union	6.7	- M	9.7	12.6	2.1	4.0	3.4	3.8
		1¼" - F	9.7	12.1				
		- S	8.2	11.8				
		- M	9.7	12.9				
		1½" - F	9.7	12.8				
		- S	8.3	11.8				
C: 2" 2" MPT x 2" Union	6.8	- M	9.8	12.5	2.1	4.0	3.4	3.8
		1½" - F	9.8	12.4				
		- S	8.4	11.5				
		- M	9.8	12.5				
		2" - F	8.0	11.8				
		- S	8.2	11.5				

*Note: Dimensions listed above do not include ProPress or any other special fittings or adapters. All dimensions, weights, and materials are subject to minor variations. Consult with factory for confirmation of dimensions and material specifications. Sweat size listed is nominal and will differ from the actual, measurable size.*

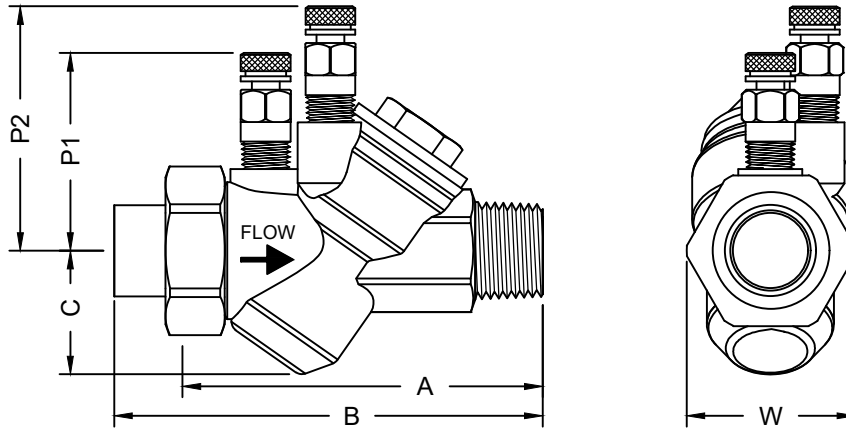


### AFLD Series Dimensions

### Automatic Pressure Independent Flow Limiter Device

Size A: AFLD - 1/2" - 1" Low

Size B: AFLD - 1" High - 1 1/2" Low



SIZE	A	TAIL PIECE	B	WEIGHT (lbs)	C	P1	P2	W
A: 1/2" 1/2" MPT x 1/2" Union	4.0	- M	5.5	1.7	1.3	2.0	2.5	1.7
		- F	4.7	1.7				
		- S	4.7	1.6				
A: 3/4" 3/4" MPT x 3/4" Union	4.1	- M	5.7	1.8	1.3	2.0	2.5	1.8
		- F	5.2	1.8				
		- S	4.9	1.7				
		- M	5.9	1.8				
		- F	4.9	1.7				
		- S	4.7	1.7				
A: 1" Low 1" MPT x 1" Union	4.3	- M	6.3	2.4	1.3	2.0	2.5	2.1
		- F	5.6	2.4				
		- S	5.2	2.3				
		- M	6.3	2.5				
		- F	5.2	2.3				
		- S	5.3	2.3				
B: 1" High 1" MPT x 1 1/4" Union	7.3	- M	9.3	4.1	1.4	2.0	2.5	2.1
		- F	9.1	4.1				
		- S	8.5	3.9				
		- M	9.3	4.2				
		- F	9.3	4.0				
		- S	8.6	3.9				
B: 1 1/4" 1 1/4" MPT x 1 1/4" Union	5.5	- M	7.5	4.7	1.4	2.0	2.5	2.1
		- F	7.5	4.7				
		- S	6.8	4.3				
		- M	7.5	4.8				
		- F	6.5	4.4				
		- S	6.6	4.3				
B: 1 1/2" Low 1 1/2" MPT x 1 1/4" Union	7.7	- M	10.2	5.2	1.4	2.0	2.5	2.1
		- F	10.2	4.9				
		- S	9.2	4.8				
		- M	10.2	5.6				
		- F	9.0	6.0				
		- S	8.9	4.8				

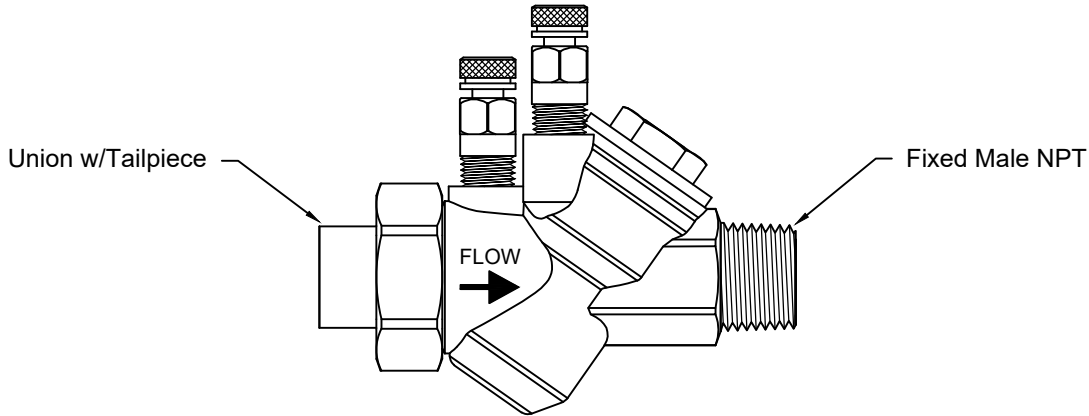
Note: Dimensions listed above do not include ProPress or any other special fittings or adapters. All dimensions, weights, and materials are subject to minor variations. Consult with factory for confirmation of dimensions and material specifications. Sweat size listed is nominal and will differ from the actual, measurable size.



**AFLD Series Submittal**

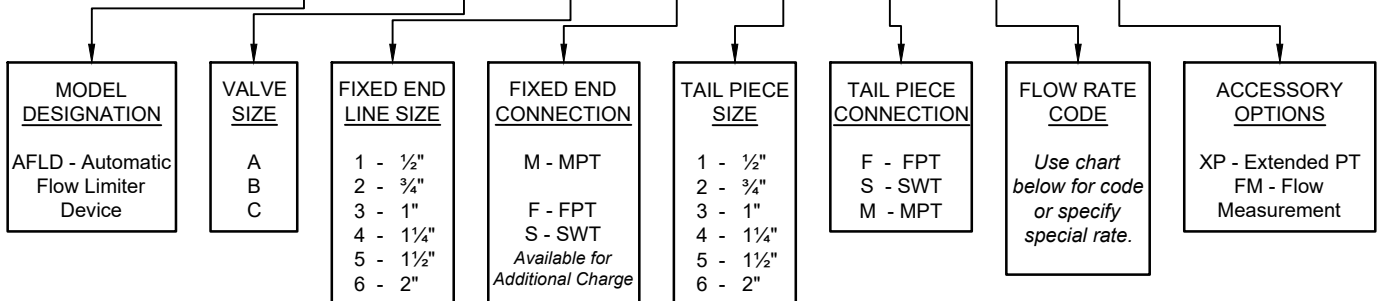
**Automatic Pressure Independent Flow Limiter Device**

- Size A: AFLD - 1/2" - 1" Low
- Size B: AFLD - 1" High - 1 1/2" Low
- Size C: AFLD - 1 1/2" High - 2"



**U.S. Patent No. 8,061,195**

**AFLD - X - X - X - X - X - X - XX**



Valve Size	FLOW RATE CODES (GPM)* CONTROL RANGE 2 - 60+ PSID **																									
	A	B	C	D	E	F	G	H	I	J	K	L	M	N	O	P	Q	R	S	T	U	V	W	X	Y	Z
A 1/2" - 1" L	.33	.50	.75	1	1.25	1.5	1.75	2	2.25	2.5	2.75	3	3.5	4	4.5	5	5.5	6	6.5	7	7.5	8	9	10	11	12
B 1" H - 1 1/2" L	5	5.5	6	6.5	7	8	9	10	12	13	14	15	16	18	20	22	24	26	28	30	32	--	--	--	--	--
C 1 1/2" H - 2"	15	20	25	30	35	40	45	50	55	60	65	70	75	80	85	90	95	100	110	120	130	140	150	--	--	--

\* Custom flow rates can be calibrated at the factory for an additional charge.  
 Unless confirmed as special, flow rates will default to standard flow rate.

JOB NAME:		REPRESENTATIVE:	
ENGINEER:		REF/PO#:	
CONTRACTOR:		SUBMITTED BY:	
		DATE:	
		DATE:	

PART # (See table above)	TAGGING/JOB INFORMATION	GPM	QUANTITY