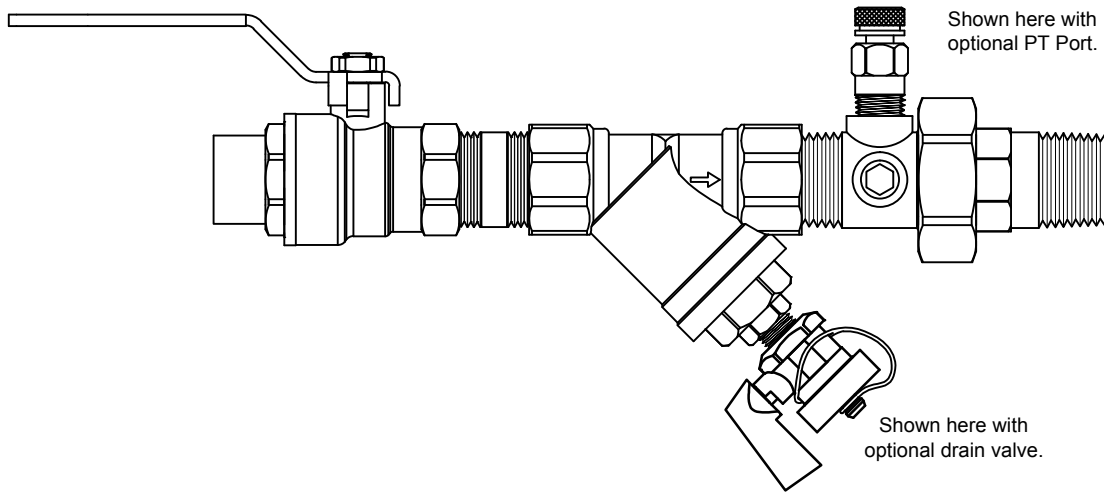




CBYU Series Specifications

Combination Ball Valve/Wye Strainer/Accessory Union

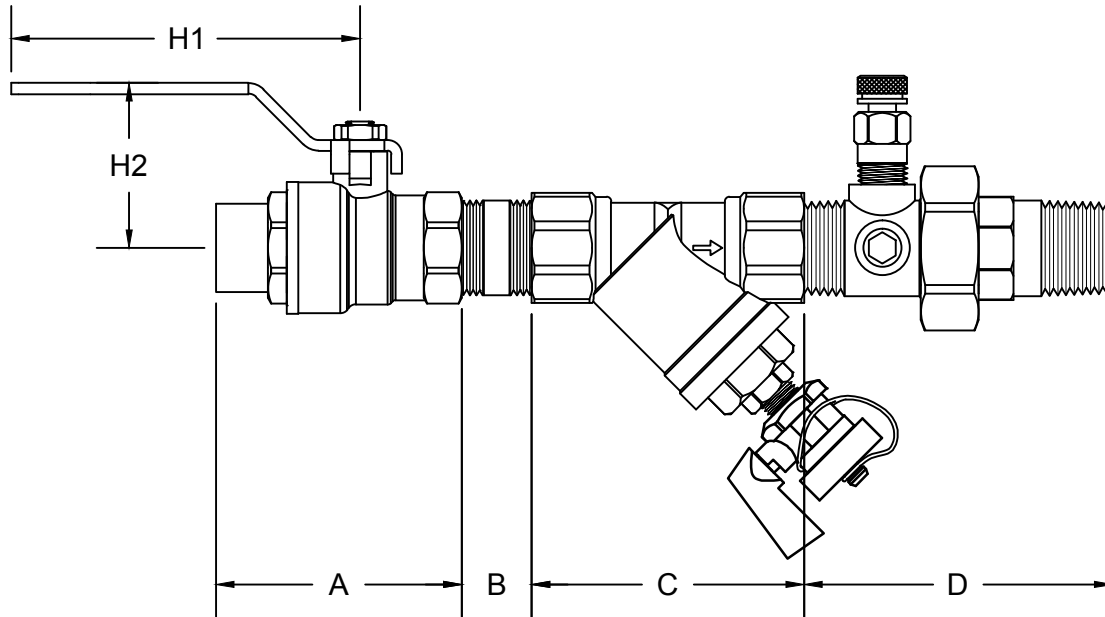


PRODUCT DESCRIPTION: The CBYU is a combination ball valve, wye strainer, and accessory union. The CBYU uses a brass ball valve connected to the wye strainer with a standard hose nipple. The strainer has a 20 mesh stainless steel screen to aid in debris removal, and 1/4" tap in the blow down section for a drain valve. The MPT ended accessory union connects directly to the FPT wye strainer and has multiple tail piece options (MPT, FPT, SWT, and reductions). All taps are plugged unless options are specified. Connections include FPT or SWT on the ball valve end.

STANDARD MATERIAL SPECIFICATIONS	
Ball Valve	Forged Brass ASTM B283-06
O-ring	EPDM
Handle	Chrome Plated Steel
Stem	Brass ASTM B124-09 - Explosion Proof
Ball	Chrome Plated Brass - Standard Port
Ball Seat	Teflon
Nipple	Brass
Y Body	Forged Brass ASTM B283-06
Y Strainer	304 Stainless Steel Mesh
Accessory Union	Forged Brass ASTM B283-06
O-ring	EPDM
Tail Piece	Brass ASTM B124-09, B22-06, or B7636-08a
Union Nut	Brass B455
PRODUCT SPECIFICATIONS	
Working Pressure:	600 WOG / CWP
Working Temp.:	-22°F to 250°F
Suitable Medium:	Water, Oil, Gas
Specification information is provided to assist and is given without obligation or warranty. The Company reserves the right to make changes in design, materials, and/or specifications without notice or liability.	



CBYU Series Dimensions
Combination Ball Valve/Wye Strainer



Model	Size	A		B	C	D			H1	H2	Weight		
		SWT BV	FPT BV			MPT End	FPT End	SWT End			MPT End	FPT End	SWT End
CBYU1	½"	3.5	2.1	0.5	9.8	3.9	3.0	3.0	3.5	1.8	3.4	3.2	3.2
CBYU2	¾"	3.7	2.4	0.7	10.2	3.7	3.0	3.0	3.5	1.8	4.1	3.8	3.7
CBYU3	1"	4.5	2.8	0.7	8.5	4.2	3.2	3.1	4.6	2.8	5.4	5.0	4.9
CBYU4	1¼"	5.5	3.2	0.8	10.1	4.5	3.5	3.6	4.6	2.8	6.9	6.3	6.0
CBYU5	1½"	5.5	3.6	0.9	10.6	5.1	3.8	3.9	5.5	2.8	9.0	8.0	7.8
CBYU6	2"	5.9	4.3	1.1	11.7	6.0	4.4	4.1	6.2	3.1	12.5	11.1	10.7

NOTE: Dimensions listed do not include ProPress or any other special fittings or adapters. All dimensions, weights, and materials are subject to minor variations. Consult with factory for confirmation of dimensions, weights, and material specifications.