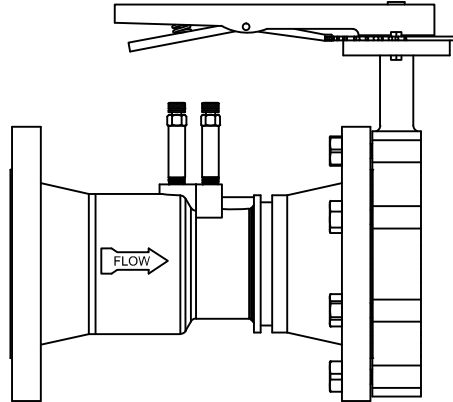


PRO *Hydronic* Specialties

CBVF Series Specifications

Combination Butterfly/Venturi with Flange



PRODUCT DESCRIPTION: The CBVF is a combination butterfly valve and flanged style venturi. The carbon steel venturi connects to standard ANSI Class 150 pound flanges, and is combined with a lug type butterfly valve for throttling. The cast iron butterfly valve has a combination infinite/10 position memory stop plate, a one piece disc/shaft, a triple shaft bearing, an aluminum-bronze disc for sizes 2½" - 8", a nickel plated disc for the 10" and 12" sizes, and an EPDM standard liner. The CBVF comes standard with two pressure/temperature ports.

Nominal Line Size	Model No.	Lower Flow Range (GPM)	Upper Flow Range (GPM)	Flow Factor (FF)	Weight (Lbs)	STANDARD MATERIAL SPECIFICATIONS		
						Component	Material	
2½"	CBVF250L	30	100	147	35	Venturi	Steel Casting, Carbon ASTM A216 Grade WCB	
	CBVF250H	40	220	319	35	Flange	Forged Carbon Steel ASTM A105	
3"	CBVF300L	30	160	227	43	Butterfly Valve	Nodular Cast Iron ASTM A536 60-4-18	
	CBVF300H	80	400	578	41	Seat	EPDM Rubber	
4"	CBVF400L	80	430	611	60	Disc (2½ - 8")	Aluminum-Bronze Sand Casting, ASTM B148 C95800	
	CBVF400H	130	720	1029	56	Disc (10 & 12")	Nickel Plated Aluminum-Bronze Sand Casting, ASTM B148 C95800	
5"	CBVF500	160	880	1267	76	Shaft	Stainless Steel AISI 410	
6"	CBVF600	200	1100	1551	101	O-Ring	EPDM Rubber	
8"	CBVF800	520	2000	2824	172	Bearing	Copper ASTM B45	
10"	CBVF1000	580	2950	4164	281	Bearing Bush	PTFE	
12"	CBVF1200	1250	6700	9670	422	Hand Lever	Nodular Cast Iron ASTM A536 60-4-18	
CONNECTIONS:		Inlet - Raised Face Flange Outlet - Lug Butterfly Valve				CALCULATIONS:		D.P. = (GPM * 17.3 / FF) ² GPM = √(D.P. * FF / 17.3)

Specification information is provided to assist and is given without obligation or warranty. The Company reserves the right to make changes in design, materials, and/or specifications without notice or liability.

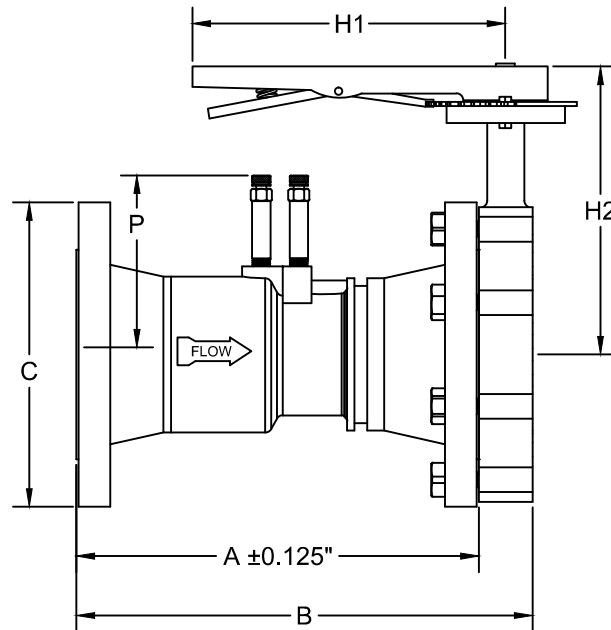
PRODUCT SPECIFICATIONS:

- Butterfly valve is rated at 150 PSIG and is suitable for dead-end service
- Maximum pressure loss 6% of differential pressure
- The carbon steel Venturi accuracy rating: ±1% Between 10" w.c. and 70" w.c. based on Coefficient of Discharge
±3% Between 5" w.c. and 150" w.c.

PRO *Hydronic* Specialties

CBVF Series Dimensions

Combination Butterfly/Venturi with Flange



SIZE	A	B	C	H1	H2	P
2½" L & H	10.9	12.7	7.0	10.5	8.1	5.3
3" L & H	11.3	13.1	7.5	10.5	8.2	5.5
4" L & H	12.5	14.5	9.0	10.5	9.0	6.0
5"	12.5	14.6	10.0	10.5	9.4	6.6
6"	15.0	17.2	11.0	10.5	10.2	7.2
8"	16.9	19.3	13.5	*	*	8.4
10"	20.6	23.2	16.0	*	*	8.5
12"	26.3	29.3	19.0	*	*	12.4

* Denotes a gear operated valve.

Note: All dimensions and materials are subject to minor variations. Consult with factory for confirmation of dimensions and material specifications at the time of order.