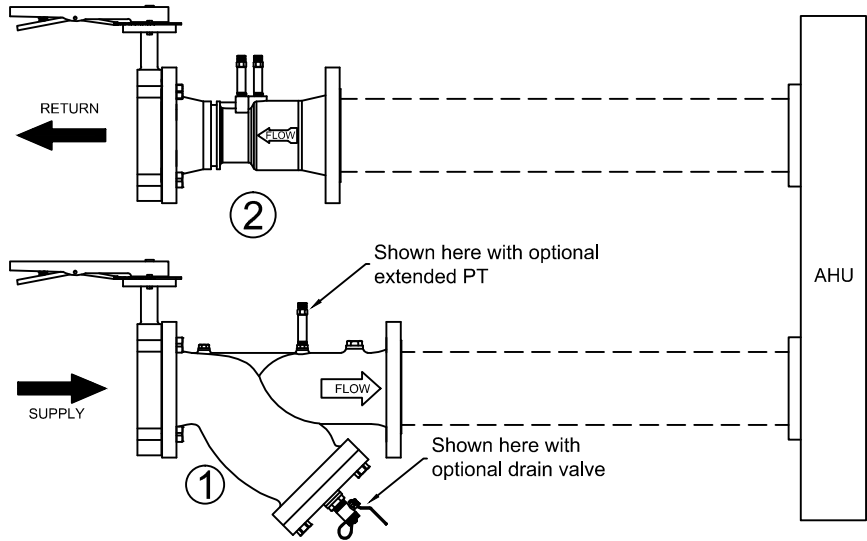


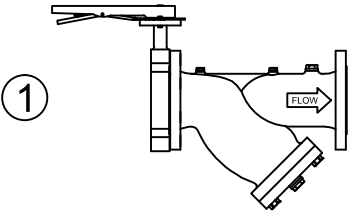
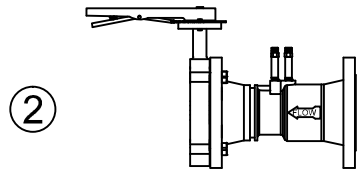
# PRO *Hydronic Specialties*

## Manual Steel Balancing 2-Way Kit - SVY Submittal

#	Model	Size
1	CBYS	
2	CBVF	



**PRODUCT DESCRIPTION:** The SVY Manual Balancing Valve Kit is a packaged and partially preassembled grouping of components required to complete installation of a terminal unit. Temperature control valves, piping, and coils are supplied "by others". Mounting and testing of the customer provided TCV is available at an additional charge. Parts for line size reductions are available for an additional cost. Consult with factory for information and pricing.

COMPONENT DESCRIPTIONS	
SUPPLY	RETURN
 <p>1</p> <p>CBYS: The cast iron wye strainer with standard ANSI Class 150# flange ends combined with a lug type butterfly valve for throttling/isolation. Accessories available at an additional charge.</p>	 <p>2</p> <p>Model CBVF: Carbon Steel venturi that connects to ANSI Class 150# flange ends and is combined with a lug type butterfly valve for throttling. Comes standard with two 1/4" P/T ports.</p>

QUANTITY	GPM	TCV Size	TAGGING INFORMATION

JOB NAME:	CUSTOMER:
ENGINEER:	REF/PO#:
CONTRACTOR:	SUBMITTED BY:
	DATE:
	DATE: