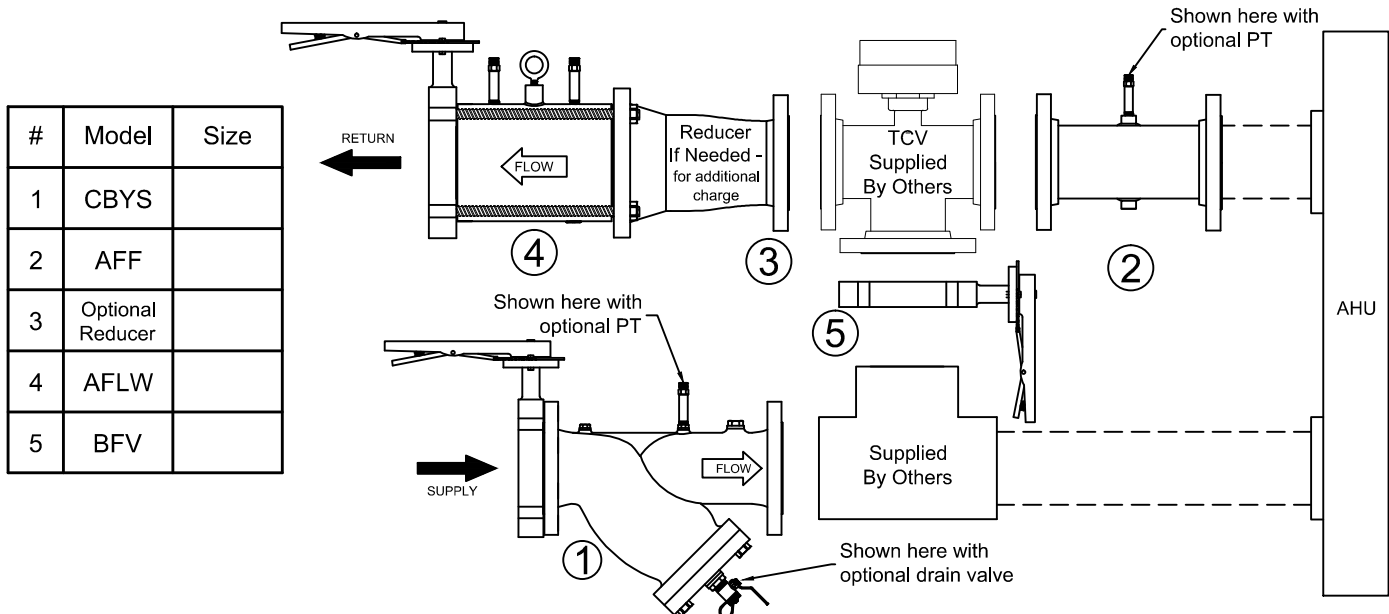


PRO *Hydronic* Specialties

Automatic Steel Balancing 3-Way Kit - SW3Y Submittal



PRODUCT DESCRIPTION: The SW3Y Automatic Balancing Valve Kit is a packaged and partially preassembled grouping of components required to complete installation of a terminal unit. Temperature control valves, piping, and coils are supplied "by others". Mounting and testing of the customer provided TCV is available at an additional charge.

COMPONENT DESCRIPTIONS			
SUPPLY	RETURN	RETURN	BYPASS
 1	 2	<p><i>U.S. Patent No. 8,061,195</i></p> 4	 5
<p>CBYS: The cast iron wye strainer with standard ANSI Class 150# flange ends combined with a lug type butterfly valve for throttling/isolation. Accessories available at an additional charge.</p>	<p>AFF: Carbon Steel accessory hook-up with ANSI Class 150 # flange ends. 1/2" ports are at 6:00 and 12:00 positions. Accessories and additional port sizes are available at an additional charge.</p>	<p>Model AFLWF: A wafer type flow limiting device combined with a butterfly valve and weld neck flange. Comes standard with flow limiting cartridge(s), two 1/4" P/T ports, and a lifting lug.</p>	<p>Model BFV: Lug type butterfly valve with combination infinite/10 position memory stop, one piece disc/shaft, triple shaft bearing, and an EPDM liner. Cap set screws available for additional charge.</p>

QUANTITY	GPM	TCV Size	TAGGING INFORMATION

JOB NAME:	CUSTOMER:
ENGINEER:	REF/PO#:
CONTRACTOR:	SUBMITTED BY:
	DATE:
	DATE: