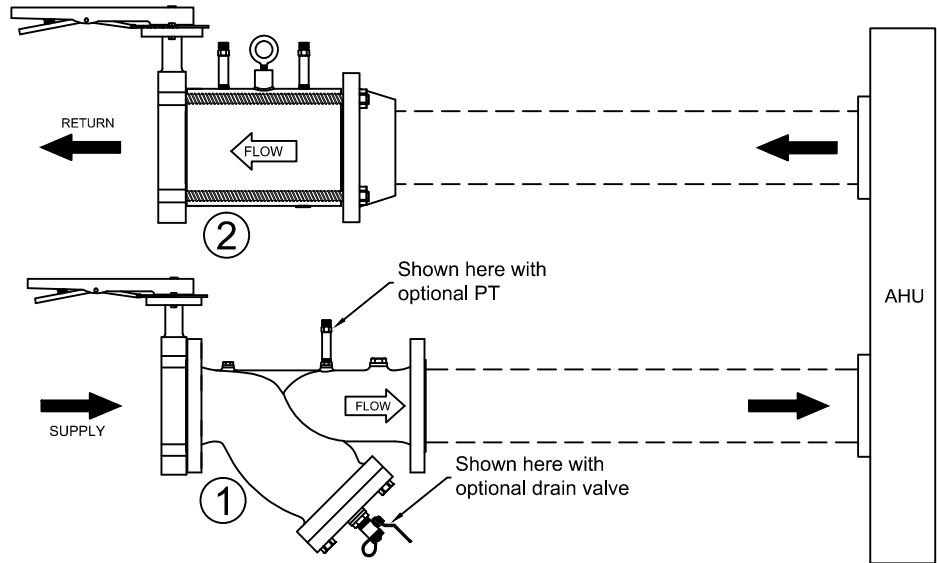


PRO *Hydronic* Specialties

Automatic Steel Balancing Kit - SWY Submittal

#	Model	Size
1	CBYS	
2	AFLWF	



PRODUCT DESCRIPTION: The SWY Automatic Balancing Valve Kit is a packaged and partially preassembled grouping of components required to complete installation of a terminal unit. Temperature control valves, piping, and coils are supplied "by others". Mounting and testing of the customer provided TCV is available at an additional charge. Parts for reductions in line size are available for an additional charge. Consult with factory for information and pricing.

COMPONENT DESCRIPTIONS	
SUPPLY	RETURN
<p>Model CBYS: The cast iron wye strainer with standard ANSI Class 150# flange ends combined with a lug type butterfly valve for throttling/isolation. Comes standard with stainless steel screen, and all ports plugged unless otherwise specified. Accessories provided at additional charge.</p>	<p style="text-align: center;">U.S. Patent No. 8,061,195</p> <p>Model AFLWF: A wafer type flow limiting device combined with a butterfly valve and weld neck flange. Comes standard with one or more flow limiting cartridges, two 1/4" P/T ports, a lifting lug for ease with installation, and a metal identification tag.</p>

QUANTITY	GPM	TCV Size	TAGGING INFORMATION

JOB NAME:	CUSTOMER:
ENGINEER:	REF/PO#:
CONTRACTOR:	SUBMITTED BY:
	DATE:
	DATE: