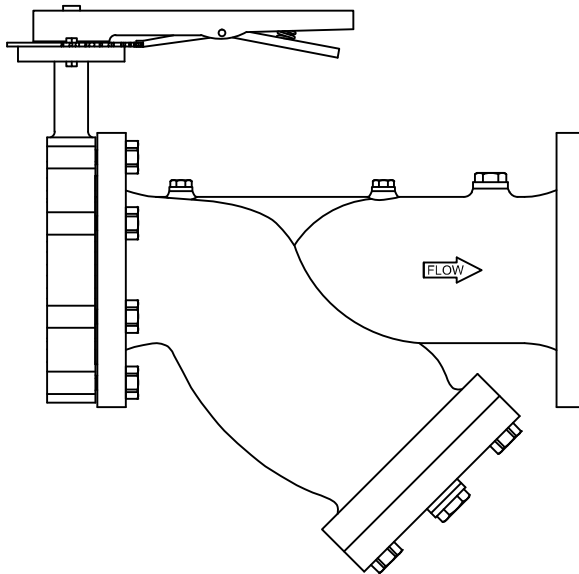




CBYS Series Specifications

Combination Butterfly Valve & Wye Strainer



PRODUCT DESCRIPTION: The CBYS is a combination butterfly valve and flange x flange end wye strainer. The cast iron wye strainer has standard ANSI Class 150 pound flange ends that connect to a lug type butterfly valve for throttling/isolation. The cast iron butterfly valve has a combination infinite/10 position memory stop plate, a one piece disc/shaft, a triple shaft bearing, an aluminum-bronze disc for sizes 2½" - 8", a nickel plated disc for the 10" and 12" sizes, and an EPDM liner. The strainer comes with a stainless steel filter element, a two ¼" plugs, a ½" plug, a ¾" blow-off connection, and a flanged blow-off cover with an EPDM o-ring. Accessories are available for an additional charge.

| STANDARD MATERIAL SPECIFICATIONS | | | |
|---|---|-----------------|--|
| WYE STRAINER | | BUTTERFLY VALVE | |
| Body | Gray Iron Casting ASTM A126 Class B | Body | Nodular Cast Iron ASTM A536 60-4-18 |
| Cap | Gray Iron Casting ASTM A126 Class B | Seat | EPDM Rubber |
| Filter | Stainless Steel A276 | Disc (2½" - 8") | Aluminum-Bronze Sand Casting, ASTM B148 C95800 |
| O-Rings | EPDM Rubber | Disc (10 & 12") | Nickel Plated Aluminum-Bronze Sand Casting, ASTM B148 C95800 |
| ¼" Plug | Ductile Iron Casting ASTM A536 60-40-18 | Shaft | Stainless Steel AISI 410 |
| ½" Plug | Ductile Iron Casting ASTM A536 60-40-18 | O-Ring | EPDM Rubber |
| ¾" Plug | Ductile Iron Casting ASTM A536 60-40-18 | Bearing | Copper ASTM B45 |
| Bolt | Carbon Steel ASTM A307 | Bearing Bush | PTFE |
| Nut | Carbon Steel ASTM A307 | Hand Lever | Nodular Cast Iron ASTM A536 60-4-18 |
| <p>Specification information is provided to assist and is given without obligation or warranty. The Company reserves the right to make changes in design, materials, and/or specifications without notice or liability.</p> | | | |

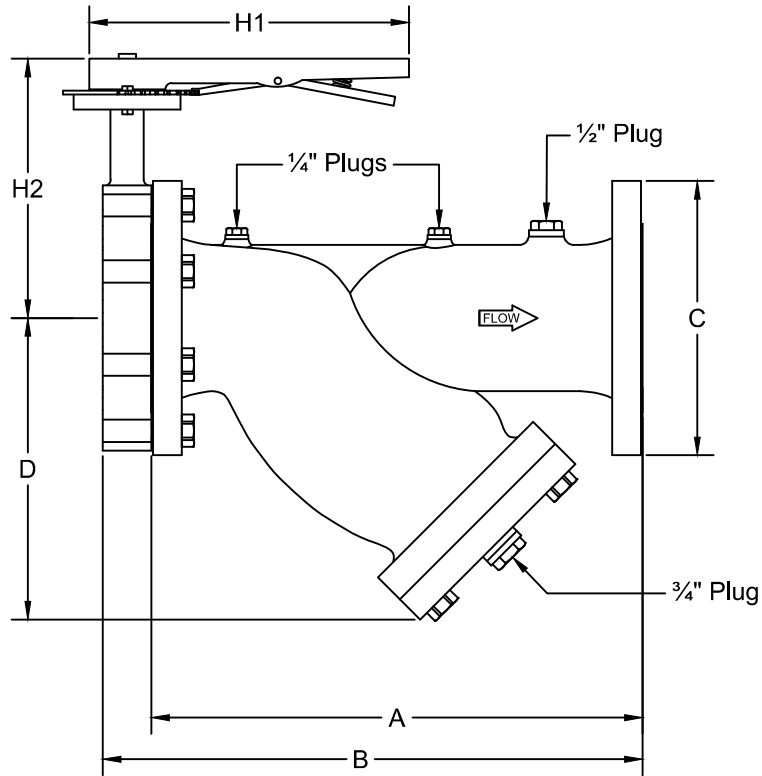
PRODUCT SPECIFICATIONS:

- Butterfly valve is rated at 150 PSIG and is suitable for dead-end service
- Stainless steel screen aids in filtering dirt, rust, and debris in the piping system and may be removed for cleaning



CBYS Series Dimensions

Combination Butterfly Valve & Wye Strainer



| SIZE | MODEL | A | B | C | D | H1 | H2 | Weight |
|------|---------|------|------|------|------|------|------|--------|
| 2½" | CBYS250 | 11.0 | 12.8 | 7.0 | 7.0 | 10.5 | 8.1 | 33 |
| 3" | CBYS300 | 12.0 | 13.8 | 8.0 | 7.5 | 10.5 | 8.2 | 43 |
| 4" | CBYS400 | 14.0 | 16.0 | 9.5 | 9.0 | 10.5 | 9.0 | 69 |
| 6" | CBYS600 | 18.5 | 20.7 | 13.0 | 11.0 | 10.5 | 10.2 | 163 |
| 8" | CBYS800 | 21.7 | 24.1 | 15.0 | 13.5 | * | * | 203 |

* Denotes a gear operated valve.

Note: All dimensions and materials are subject to minor variations. Consult with factory for confirmation of dimensions and material specifications at the time of order.