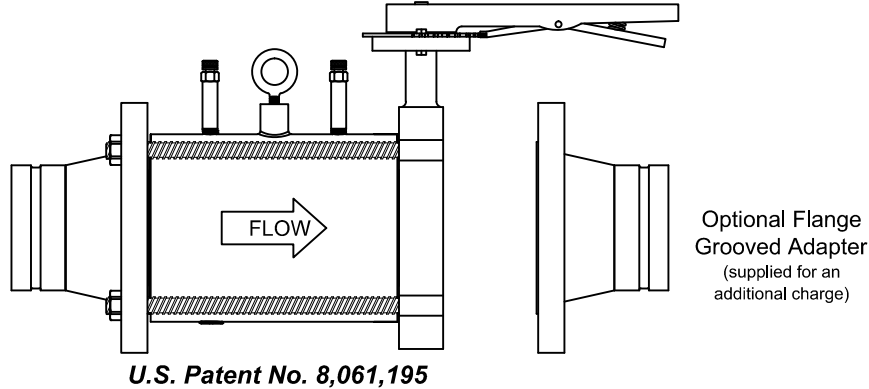




AFLWG Series Specifications

Automatic Pressure Independent Flow Limiter Wafer w/ Groove End



PRODUCT DESCRIPTION: The AFLWG is a combination butterfly valve, wafer style automatic flow limiting device, and an ANSI Class 150# grooved end flange. The full flange face wafer contains one or more stainless steel flow limiting cartridges that are preset at the factory for a specific flow. The cartridges can be removed for cleaning, and if necessary, cartridge exchange. The cast iron butterfly valve has a combination infinite/10 position memory stop plate, a one piece disc/shaft, a triple shaft bearing, an aluminum-bronze disc for sizes 2½" - 6", and an EPDM liner. The AFLWG may be supplied with an additional flange grooved adapter for an additional charge.

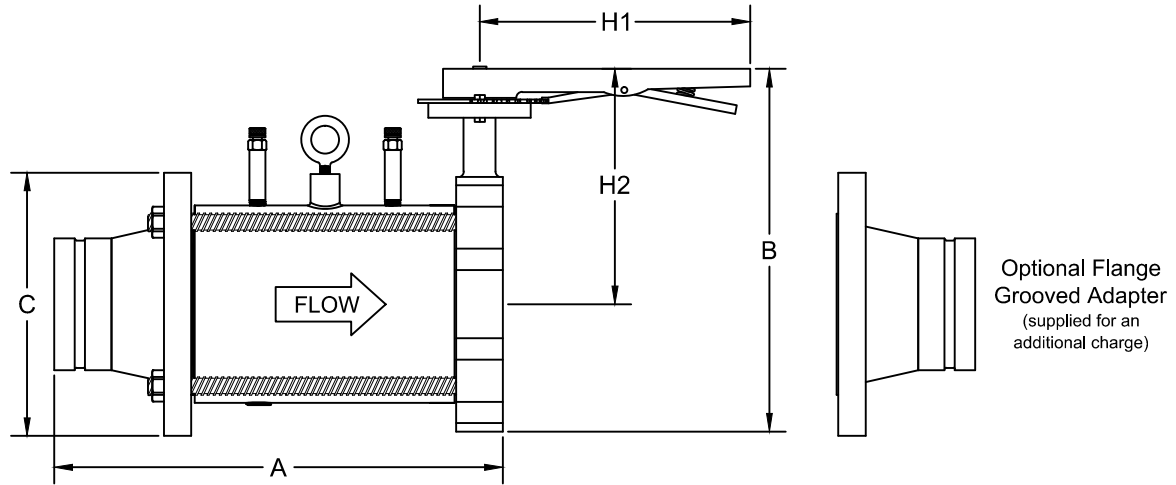
STANDARD MATERIAL SPECIFICATIONS		
Wafer	ASTM A536 Ductile Iron	
O-Ring	EPDM	
Flow Cartridge	ASTM A582 Type 303 Stainless Steel	
Diaphragm	EPDM	
Spring	Stainless Steel	
PT Port	EPDM Dual Durometer Core	
Lifting Lug	ASTM F541 Steel	
Flange	Forged Carbon Steel ASTM A105	
Bolts	ASTM A193 Steel	
Butterfly Valve	Body	Nodular Cast Iron ASTM A536 60-4-18
	Seat	EPDM Rubber
	Disc (2½" - 6")	Aluminum-Bronze Sand Casting, ASTM B148 C95800
	Shaft	Stainless Steel AISI 410
	O-Ring	EPDM Rubber
	Bearing	Copper ASTM B45
	Bearing Bush	PTFE
Hand Lever	Nodular Cast Iron ASTM A536 60-4-18	
PRODUCT SPECIFICATIONS		
Cartridge Control range:	2 psi - 60+ psi	
Accuracy:	±5%	
Start-Up Head Loss:	5 Feet of H ₂ O	
PSI/Temperature Rating:	300 PSI @ 250°F	
Specification information is provided to assist and is given without obligation or warranty. The Company reserves the right to make changes in design, materials, and/or specifications without notice or liability.		

NOTE: The specific ASTM standard may vary and should be confirmed at time of order.



AFLWG Series Dimensions

Automatic Pressure Independent Flow Limiter Wafer w/ Groove End



U.S. Patent No. 8,061,195

SIZE	MODEL	A	B	C	H1	H2	WEIGHT	No. of AFL Cartridges	Max GPM FLOW	With Optional Flange Grooved Adapter		
										Model	Length	Weight
2½"	AFLWG250	14.6	10.4	7.0	10.5	8.1	38	1	180	FGA250	+ 4.9	+ 13
3"	AFLWG300	14.6	10.9	7.5	10.5	8.2	44	1	180	FGA300	+ 4.9	+ 16
4"	AFLWG400	16.0	12.4	9.0	10.5	9.0	60	2	360	FGA400	+ 5.1	+ 18
6"	AFLWG600	16.7	11.0	11.0	10.5	10.2	103	4	720	FGA600	+ 5.8	+ 28

Note: All dimensions are in inches and all weights are in pounds. All dimensions, weights, and materials are subject to minor variations. Consult with factory for confirmation of dimensions, weights, and material specifications at the time of order.